

Manta

G-201-30fps



- 30.0 fps full resolution
- PoE option
- Angled head and board level variants
- Video-iris lens control

Description

GigE Vision camera, 2 Megapixel, 30 fps, Sony ICX274 sensor, PoE option

Manta G-201B-30fps/G-201C-30fps is a fast GigE Vision camera with a Sony ICX274 CCD sensor. At full resolution, the camera runs at 30.0 frames per second. With a smaller region of interest, higher frame rates are possible. This camera incorporates three look-up tables, sophisticated color correction algorithms, a robust metal housing, and many modular options.

Options

- Power over Ethernet (PoE)
- Various IR cut/pass filters and lens mounts
- Angled head, board level variants, white medical housing

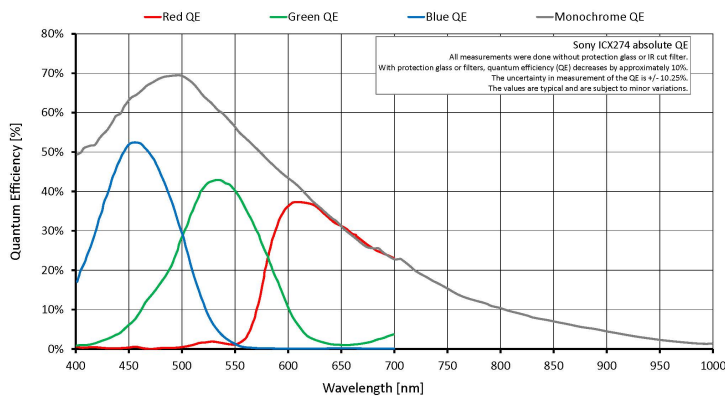
See the [#Modular Concept#](#) for lens mount, housing variants, optical filters, case design, and other modular options.

Optical filter note: By default monochrome models ship with protection glass B 270 (ASG) and color models ship with an IRC Hoya C-5000 IR cut filter.

Specifications

| Manta | G-201-30fps |
|-----------------------------------|----------------------------------------------------|
| Interface | IEEE 802.3 1000BASE-T, IEEE 802.3af (PoE) optional |
| Resolution | 1624 (H) × 1234 (V) |
| Sensor | Sony ICX274 |
| Sensor type | CCD Progressive |
| Cell size | 4.4 μm x 4.4 μm |
| Lens mount | C-Mount |
| Max frame rate at full resolution | 30.0 fps |

| Manta | G-201-30fps |
|-----------------------------------------------|------------------------------------------------|
| ADC | 12 bit |
| Image buffer (RAM) | 32 MByte |
| Output | |
| Bit depth | 8-12 bit |
| Mono modes | Mono8, Mono12, Mono12Packed |
| Color modes YUV | YUV411Packed, YUV422Packed, YUV444Packed |
| Color modes RGB | RGB8Packed, BGR8Packed |
| Raw modes | BayerRG8, BayerRG12Packed, BayerRG12 |
| General purpose inputs/outputs (GPIOs) | |
| Opto-isolated I/Os | 2 inputs, 2 outputs |
| RS-232 | 1 |
| Operating conditions/dimensions | |
| Operating temperature | +5 °C to +45 °C ambient (without condensation) |
| Power requirements (DC) | 8 to 30 VDC; PoE |
| Power consumption (@12 V) | 4.6 W @ 12 VDC; 5.4 W PoE |
| Mass | 200 g; 210 g (PoE) |
| Body dimensions (L × W × H in mm) | 86.4 × 44 × 29 (including connectors) |
| Regulations | CE, RoHS, REACH, WEEE, FCC, ICES |



Features

Image optimization features:

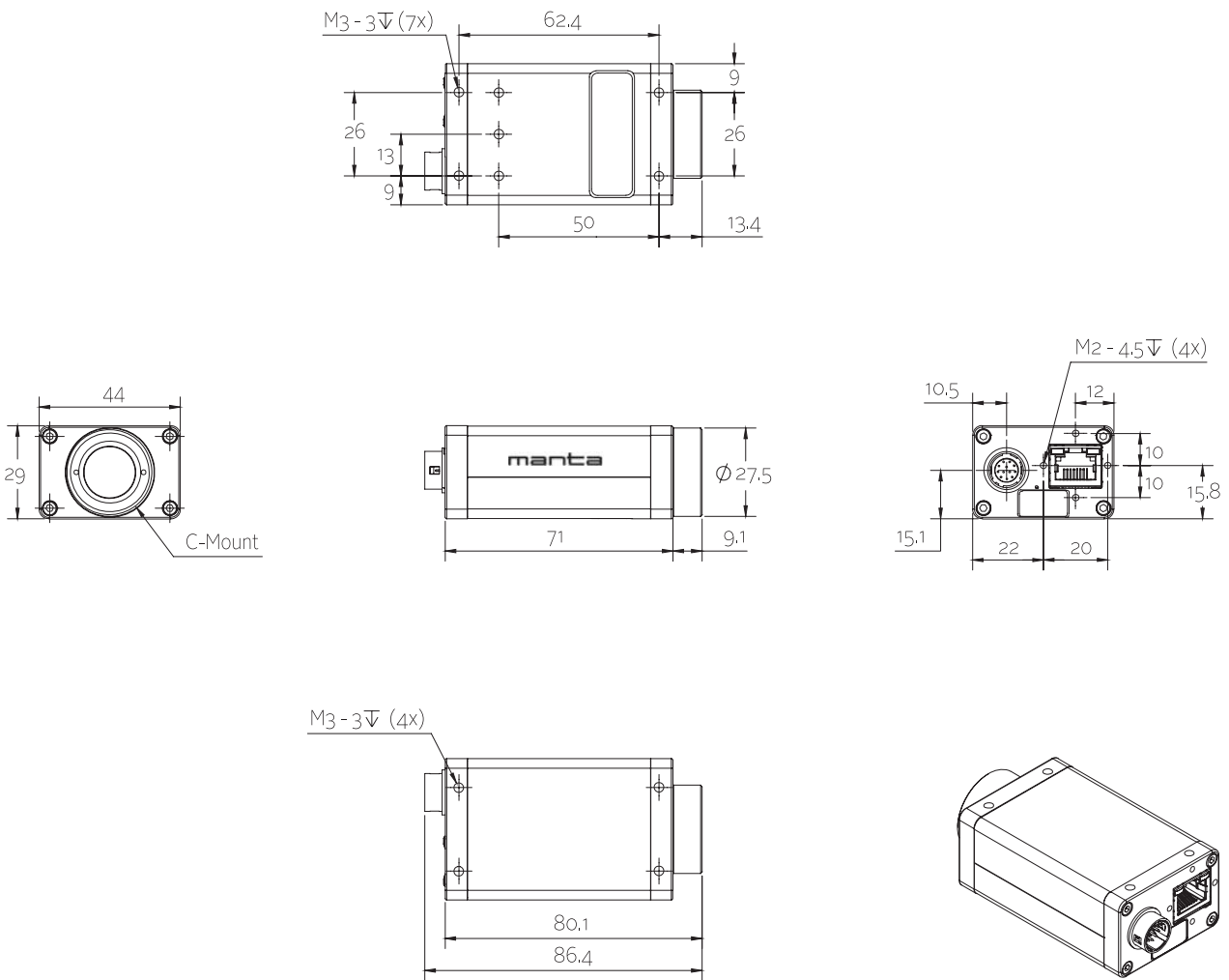


- Auto gain (manual gain control: 0 to 31 dB)
- Auto exposure (10 #s to 60 s)
- Auto white balance
- Binning
- Black level (offset)
- Color correction, hue, saturation (color models only)
- Decimation
- Gamma correction
- Look-up tables (LUTs)
- Region of interest (ROI), separate ROI for auto features

Camera control features:

- Auto-iris (video type)
- Event channel
- Image chunk data
- Storable user sets
- StreamBytesPerSecond (easy bandwidth control)
- Stream hold
- Sync out modes: Trigger ready, input, exposing, readout, imaging, strobe, GPO

Technical drawing



Applications

Manta G-201B-30fps/G-201C-30fps is ideal for a wide range of applications including:



- Machine vision
- Entertainment and multimedia applications
- 3D applications
- Intelligent traffic solutions (ITS)