

Manta

G-283



- Versatile 2.8 Megapixel camera
- 30.4 fps @ full resolution
- PoE option
- Video-iris lens control

Description

GigE camera with Sony ICX674 sensor

Manta G-283B/G-283C includes an 2/3" Sony ICX674 CCD sensor with EXview HAD II technology. This sensor is distinguished by reduced smear, higher quantum efficiency, and enhanced near-infrared sensitivity. At full resolution, this camera runs at 30.4 frames per second. This camera with its ICX674 sensor has an excellent image quality even under challenging light conditions.

Options

- Power over Ethernet (PoE)
- Various IR cut/pass filters and lens mounts
- White medical housing

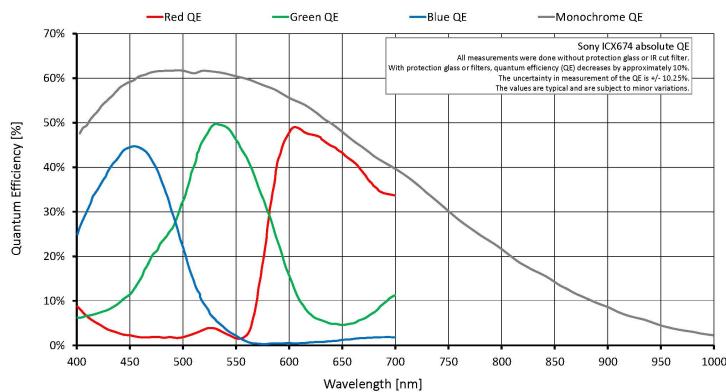
See the [#Modular Concept#](#) for lens mount, housing variants, optical filters, case design, and other modular options.

Optical filter note: By default monochrome models ship with protection glass B 270 (ASG) and color models ship with an IRC Hoya C-5000 IR cut filter.

Specifications

Manta	G-283
Interface	IEEE 802.3 1000BASE-T, IEEE 802.3af (PoE) optional
Resolution	1936 (H) × 1458 (V)
Sensor	Sony ICX674
Sensor type	CCD Progressive
Cell size	4.54 μm x 4.54 μm
Lens mount	C-Mount
Max frame rate at full resolution	30.4 fps

Manta	G-283
ADC	12 bit
Image buffer (RAM)	128 MByte
Output	
Bit depth	8/14-8/12 bit
Mono modes	Mono8, Mono12Packed, Mono12
Color modes YUV	YUV411Packed, YUV422Packed, YUV444Packed
Color modes RGB	RGB8Packed, BGR8Packed
Raw modes	BayerRG8, BayerRG12, BayerRG12Packed
General purpose inputs/outputs (GPIOs)	
Opto-isolated I/Os	2 inputs, 2 outputs
RS-232	1
Operating conditions/dimensions	
Operating temperature	+5 °C to +45 °C ambient (without condensation)
Power requirements (DC)	8 to 30 VDC; PoE
Power consumption (@12 V)	3.7 W @ 12 VDC; 4.3 W PoE
Mass	190 g; 200 g (PoE)
Body dimensions (L × W × H in mm)	86.4 × 44 × 29 (including connectors)
Regulations	CE, RoHS, REACH, WEEE, FCC, ICES



Features

Image optimization features:

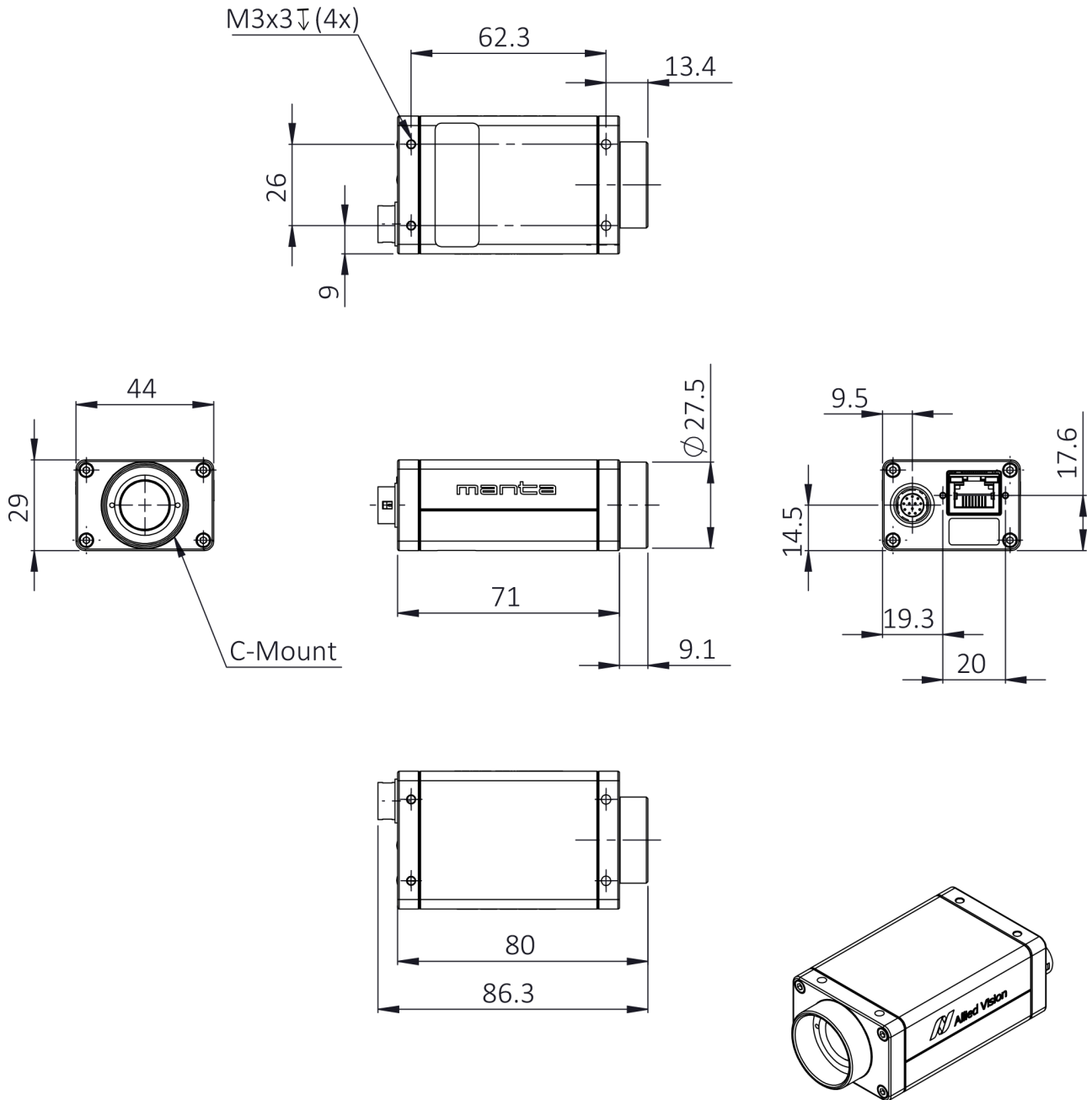


- Auto gain (manual gain control: 0 to 33 dB)
- Auto exposure (41 #s to 38 s)
- Auto white balance
- Binning
- Black level (offset)
- Color correction, hue, saturation#(color models only)
- Decimation
- Gamma correction
- Look-up tables (LUTs)
- Region of interest (ROI), separate ROI for auto features

Camera control features:

- Auto-iris (video type)
- Event channel
- Image chunk data
- IEEE 1588 Precision Time Protocol (PTP)
- Storable user sets
- StreamBytesPerSecond (easy bandwidth control)
- Stream hold
- Sync out modes: Trigger ready, input, exposing, readout, imaging, strobe, GPO
- Tap mode switchable in Vimba Viewer 2.0 or later (two-tap, one-tap)
- Temperature monitoring (main board)
- Trigger over Ethernet (ToE) Action Commands

Technical drawing



Applications

Manta G-283B/G-283C is ideal for a wide range of applications including:



- Metrology and inspection systems
- Scientific measurement
- Microscopy
- Forensic solutions
- Intelligent traffic solutions (ITS)
- Applications requiring a highly sensitive camera (low light conditions)
- Applications requiring good sensitivity in the NIR spectrum