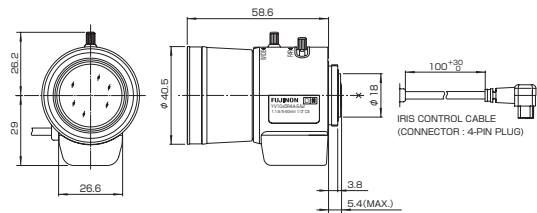


HD Vari-Focal (5-50mm)

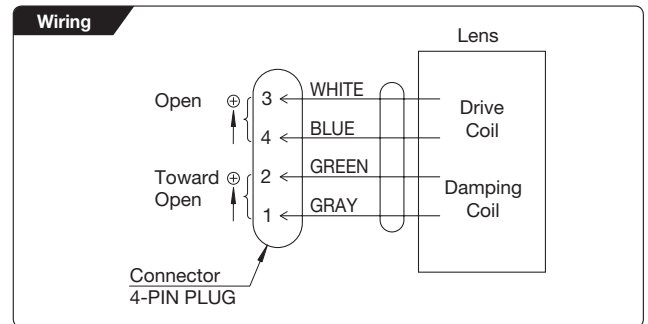
YV10x5HR4A-SA2

10x Applicable camera (model) 1 2/3 1/2 1/3 1/4 For Security



Unit : mm

YV10x5HR4A-SA2			
Focal Length (mm)		5 - 50 (10x)	
Iris Range		F1.6 - T360(Equivalent to F360)	
Operation	Zoom	Manual	
	Focus	Manual	
	Iris	Auto (DC type) ^{*1}	
Angle Of View (H×V)	1/3"	WIDE	51°17' × 39°36'
		TELE	5°30' × 4°07'
	1/4"	WIDE	39°36' × 30°13'
		TELE	4°07' × 3°06'
Focusing Range (From Front Of The Lens) (m)		∞ - 0.3	
Object Dimensions at M.O.D. (H×V) (mm)	1/3"	WIDE	304 × 228
		TELE	54 × 41
	1/4"	WIDE	228 × 171
		TELE	41 × 31
Back Focal Distance (in air) (mm)		7.50	
Exit Pupil Position (From Image Plane) (mm)		-43	
Filter Thread (mm)		-	
Mount		CS	
Mass (g)		85	
Coil Resistance		Drive Coil	190Ω
		Damping Coil	500Ω
Current Consumption		23mA(Max.) at DC 4V	
Remarks		<ul style="list-style-type: none"> •With Metal Mount (*1) When power is turned off, iris will automatically close. YV10x5HR4A-2 : Manual Iris Type YV10x5HR4A-SA2L : Long Cable Type(230mm) 	



[Lens Image]



5mm



50mm