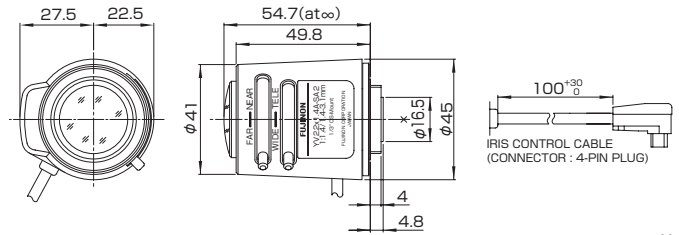


Fish-eye (1.4 - 3.1mm)

YV2.2x1.4A-SA2

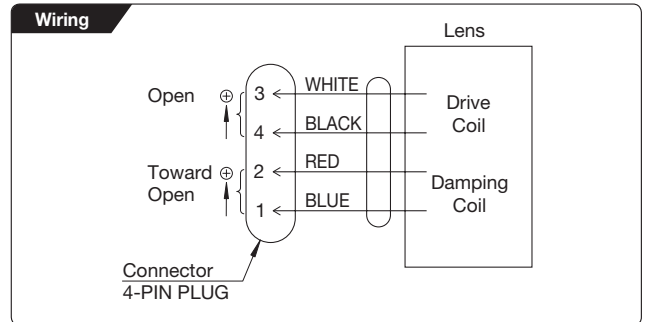
2.2x Applicable camera (mode) 1 2/3 1/2 1/3 1/4 For Security

Vari-Focal VARI Fish-Eye 185° DC Auto Iris D C CS Mount CS-mt ND Filter N D Long Cable 230 Large Aperture Ratio F1.4 RoHS Compliant RoHS



Unit : mm

YV2.2x1.4A-SA2			
Focal Length (mm)	1.4 - 3.1(2.2x)		
Iris Range	F1.4 - T360(Equivalent to F360)		
Operation	Zoom	Manual	
	Focus	Manual	
	Iris	Auto(DC Type)*1	
Angle Of View (HxV)	1/3"	WIDE	185° × 185°(φ3.45mm)
		TELE	94°47' × 69°26'
	1/4"	WIDE	185° × 121°
		TELE	69°26' × 51°30'
Focusing Range (From Front Of The Lens)(m)	∞ - 0.2		
Object Dimensions at M.O.D. (HxV)(mm)	1/3"	WIDE	-
		TELE	448 × 287
	1/4"	WIDE	-
		TELE	287 × 200
Back Focal Distance (in air) (mm)	7.82		
Exit Pupil Position (From Image Plane) (mm)	-45		
Filter Thread (mm)	-		
Mount	CS		
Mass (g)	80		
Coil Resistance	Drive Coil	200 Ω	
	Damping Coil	600 Ω	
Current Consumption	22mA(Max.) at DC 4V		
Remarks	(*1) The iris automatically closes when the camera is turned off. YV2.2x1.4A-2 : Manual Iris Type YV2.2x1.4A-SA2L : Long Cable Type (230mm)		



[Fish-Eye Lens Image]



1/3"



1/4"