

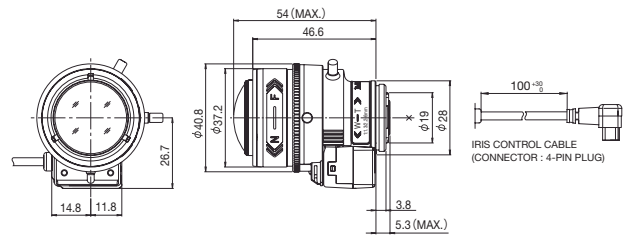
# HD Vari-Focal (2.2-6mm)

## YV2.7x2.2SA-SA2

2.7x Applicable camera (model) 1 2/3 1/2 1/3 1/4 For Security



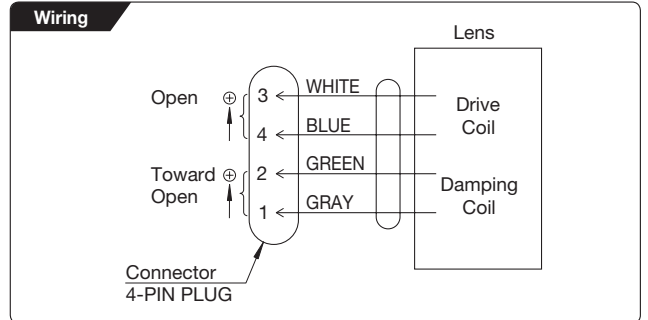
\* Photograph is a similar model.



Unit : mm

### YV2.7x2.2SA-SA2

Focal Length (mm)		2.2 - 6 (2.7x)	
Iris Range		F1.3 - T360(Equivalent to F360)	
Operation	Zoom	Manual	
	Focus	Manual	
	Iris	Auto (DC type)* <sup>1</sup>	
Angle Of View (HxV)	1/3"	WIDE	120°00' × 91°36'
		TELE	46°26' × 34°59'
	1/4"	WIDE	91°36' × 69°21'
		TELE	34°59' × 26°18'
Angle Of View (HxV) Aspect Ratio 16 : 9	1/3"	WIDE	129°43' × 75°23'
		TELE	50°30' × 28°38'
	1/4"	WIDE	99°23' × 56°53'
		TELE	38°04' × 21°31'
Focusing Range (From Front Of The Lens) (m)		∞ - 0.3	
Object Dimensions at M.O.D. (HxV) (mm)	1/3"	WIDE	1075 × 638
		TELE	266 × 196
	1/4"	WIDE	638 × 429
		TELE	196 × 145
Object Dimensions at M.O.D.(HxV) (mm) Aspect Ratio 16 : 9	1/3"	WIDE	1324 × 479
		TELE	293 × 158
	1/4"	WIDE	731 × 336
		TELE	214 × 118
Back Focal Distance (in air) (mm)		7.70	
Exit Pupil Position (From Image Plane) (mm)		-452	
Filter Thread (mm)		-	
Mount		CS	
Mass (g)		55	
Coil Resistance		Drive Coil	190Ω
		Damping Coil	500Ω
Current Consumption		23mA(Max.) at DC 4V	
Remarks		<p>•With Metal Mount</p> <p>(*1) When power is turned off, iris will automatically close.</p> <p>YV2.7x2.2SA-SA2L : Long Cable Type(230mm)</p>	



### [Lens Image]



2.2mm



6mm