

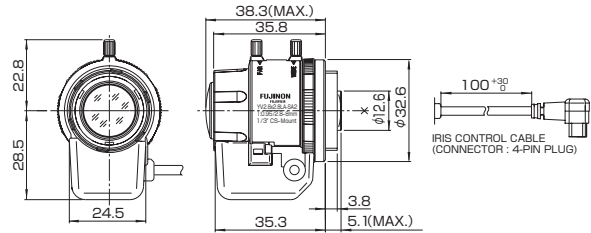
# Vari-Focal (2.8-8mm)

## YV2.8x2.8LA-SA2

**2.8x** Applicable camera (mode) 1 2/3 1/2 1/3 1/4 **For Security**



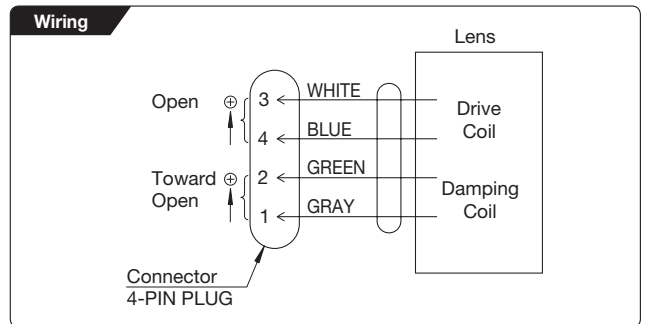
Vari-Focal	Wide Angle	DC Auto Iris	CS Mount	Metal Mount	ND Filter	Long Cable	Aspherical Lens	Large Aperture Ratio	RoHS Compliant
<b>VARI</b>	<b>WIDE</b>	<b>DC</b>	<b>CS-mt</b>	<b>METAL</b>	<b>ND</b>	<b>230</b>	<b>AT</b>	<b>F0.95</b>	<b>RoHS</b>



Unit : mm

### YV2.8x2.8LA-SA2

Focal Length (mm)		2.8 - 8(2.8x)	
Iris Range		F0.95 - T360(Equivalent to F360)	
Operation	Zoom	Manual	
	Focus	Manual	
	Iris	Auto (DC type)*1	
Angle Of View (HxV)	1/3"	WIDE	99°52' × 73°17'
		TELE	35°14' × 26°24'
	1/4"	WIDE	73°17' × 54°19'
		TELE	26°24' × 19°47'
Focusing Range (From Front Of The Lens) (m)		∞ - 0.3	
Object Dimensions at M.O.D. (HxV) (mm)	1/3"	WIDE	736 × 459
		TELE	196 × 145
	1/4"	WIDE	459 × 317
		TELE	145 × 108
Back Focal Distance (in air) (mm)		7.51	
Exit Pupil Position (From Image Plane) (mm)		91	
Filter Thread (mm)		-	
Mount		CS	
Mass (g)		45	
Coil Resistance		Drive Coil	190Ω
		Damping Coil	500Ω
Current Consumption		23mA(Max.) at DC 4V	
Remarks		<ul style="list-style-type: none"> <li>•With Metal Mount</li> <li>(*1) The iris automatically closes when the camera is turned off.</li> <li>YV2.8x2.8LA-2 : Manual Iris Type</li> <li>YV2.8x2.8LA-SA2L : Long Cable Type(230mm)</li> </ul>	



### [Lens Image]



2.8mm



8mm