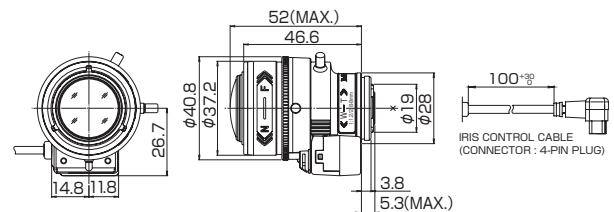


HD Vari-Focal (2.8-8mm)

YV2.8x2.8SA-SA2

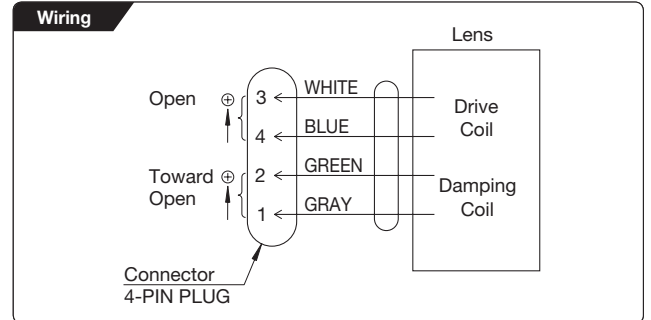
2.8x Applicable camera (model) 1 2/3 1/2 1/3 1/4 For Security



Unit : mm

YV2.8x2.8SA-SA2

Focal Length (mm)		2.8 - 8 (2.8x)	
Iris Range		F1.2 - T360(Equivalent to F360)	
Operation	Zoom	Manual	
	Focus	Manual	
	Iris	Auto (DC type)*1	
Angle Of View (HxV)	1/3"	WIDE	100°00' × 73°45'
		TELE	35°03' × 26°18'
	1/4"	WIDE	73°45' × 54°49'
		TELE	26°18' × 19°44'
Angle Of View (HxV) Aspect Ratio 16 : 9	1/3"	WIDE	109°50' × 59°51'
		TELE	38°11' × 21°29'
	1/4"	WIDE	80°39' × 44°38'
		TELE	28°39' × 16°07'
Focusing Range (From Front Of The Lens) (m)		∞ - 0.3	
Object Dimensions at M.O.D. (HxV) (mm)	1/3"	WIDE	744 × 468
		TELE	197 × 146
	1/4"	WIDE	468 × 323
		TELE	146 × 108
Object Dimensions at M.O.D.(HxV) (mm) Aspect Ratio 16 : 9	1/3"	WIDE	890 × 359
		TELE	216 × 118
	1/4"	WIDE	530 × 256
		TELE	159 × 88
Back Focal Distance (in air) (mm)		7.70	
Exit Pupil Position (From Image Plane) (mm)		314	
Filter Thread (mm)		-	
Mount		CS	
Mass (g)		50	
Coil Resistance		Drive Coil	190Ω
		Damping Coil	500Ω
Current Consumption		23mA(Max.) at DC 4V	
Remarks		•With Metal Mount (*1) When power is turned off, iris will automatically close. YV2.8x2.8SA-SA2L : Long Cable Type(230mm)	



[Lens Image]



2.8mm



8mm