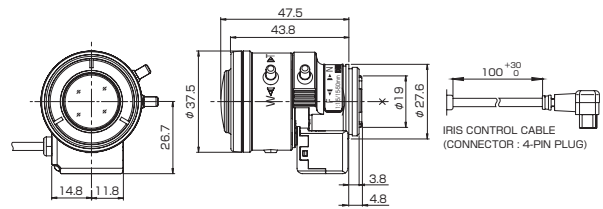


# HD Vari-Focal (15-50mm)

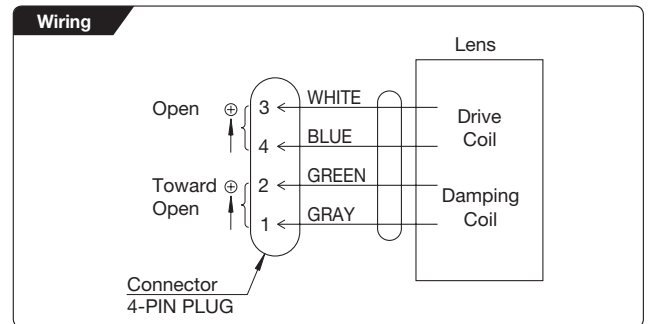
## YV3.3x15HR4A-SA2

3.3x Applicable camera (model) 1 2/3 1/2 1/3 1/4 For Security



Unit : mm

YV3.3x15HR4A-SA2			
Focal Length (mm)		15 - 50 (3.3x)	
Iris Range		F1.5 - T360(Equivalent to F360)	
Operation	Zoom	Manual	
	Focus	Manual	
	Iris	Auto (DC type)*1	
Angle Of View (HxV)	1/3"	WIDE	18°29' × 13°45'
		TELE	5°29' × 4°09'
	1/4"	WIDE	13°45' × 10°16'
		TELE	4°09' × 3°08'
Focusing Range (From Front Of The Lens) (m)		∞ - 0.8	
Object Dimensions at M.O.D. (HxV) (mm)	1/3"	WIDE	271 × 201
		TELE	91 × 69
	1/4"	WIDE	201 × 150
		TELE	69 × 52
Back Focal Distance (in air) (mm)		MIN.8.56	
Exit Pupil Position (From Image Plane) (mm)		-50	
Filter Thread (mm)		-	
Mount		CS	
Mass (g)		50	
Coil Resistance		Drive Coil	190Ω
		Damping Coil	500Ω
Current Consumption		23mA(Max.) at DC 4V	
Remarks		•With Metal Mount (*1) When power is turned off, iris will automatically close.	



[Lens Image]



15mm



50mm