

DMK 41AU02 Specification

GENERAL BEHAVIOR

Sensitivity	0.05 lx
Dynamic range	8 bit
Video formats @ frame rate (maximum)	1,280×960 (1.2 MP) Y800 @ 15 fps

INTERFACE (OPTICAL)

IR cut filter	✘
Sensor type	CCD
Sensor specification	Sony ICX205AL
Shutter	global
Format	1/2 inch
Resolution (maximum)	H: 1,280 px, V: 960 px
Frame rate (maximum)	15 fps
Pixel size	H: 4.65 μm, V: 4.65 μm
Lens mount	C/CS

INTERFACE (ELECTRICAL)

Interface	USB 2.0 (forwards compatible)
Supply voltage	4.5 VDC to 5.5 VDC
Current consumption	approx 500 mA @ 5 VDC
Auto iris control	✘
Trigger	✘
I/Os	✘

INTERFACE (MECHANICAL)

Dimensions	H: 50.6 mm, W: 50.6 mm, L: 56 mm
Mass	265 g

ADJUSTMENTS

Shutter	1/10,000 s to 30 s
Gain	0 dB to 36 dB
White balance	-2 dB to 6 dB

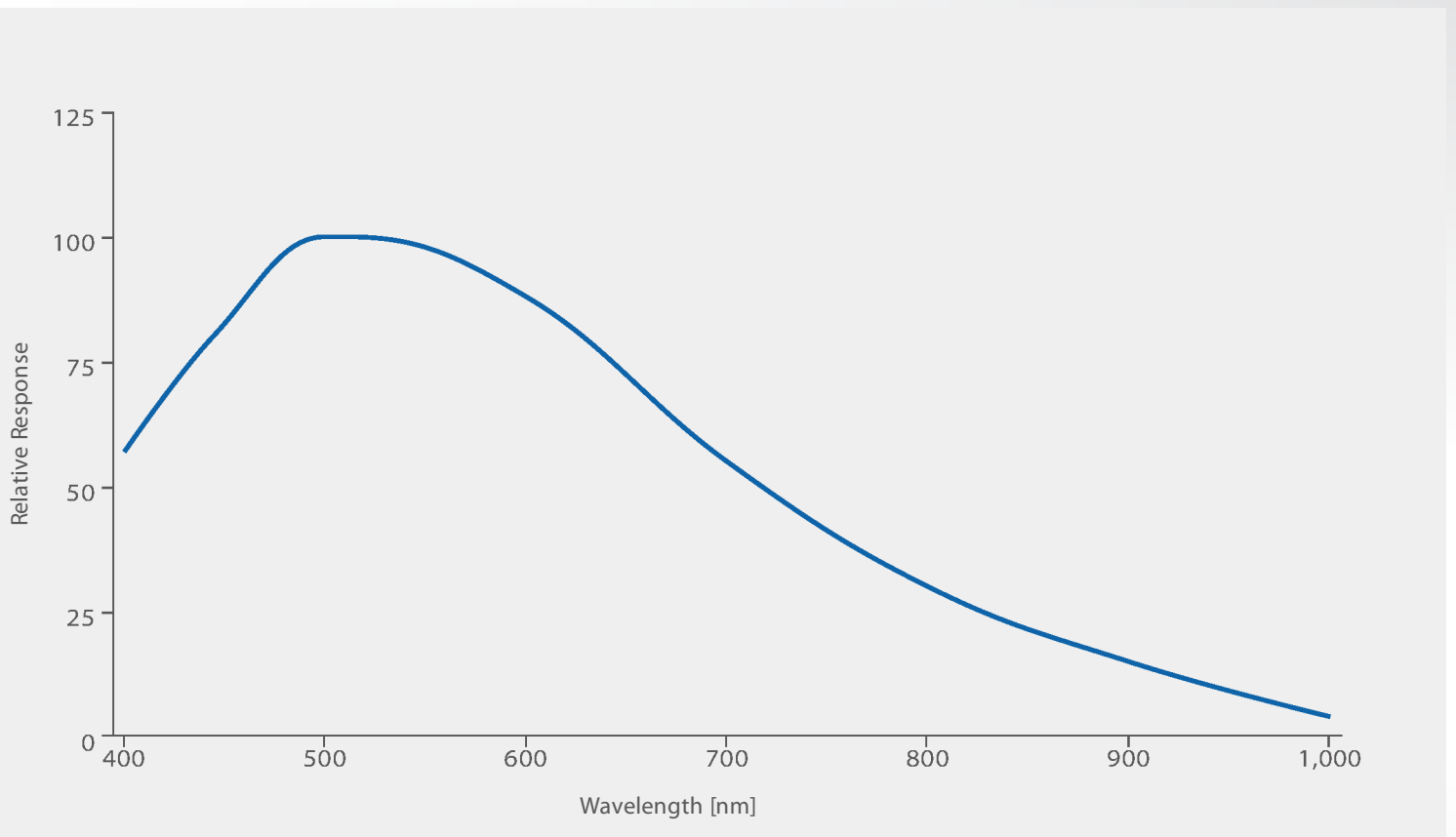
ENVIRONMENTAL

Temperature (operating)	-5 °C to 45 °C
Temperature (storage)	-20 °C to 60 °C
Humidity (operating)	20 % to 80 % (non-condensing)
Humidity (storage)	20 % to 95 % (non-condensing)

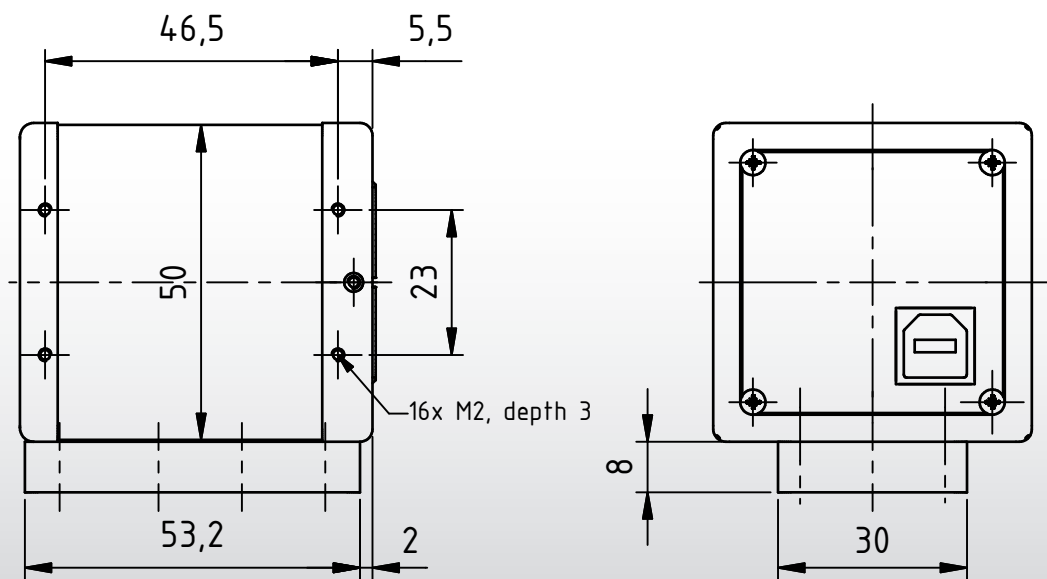
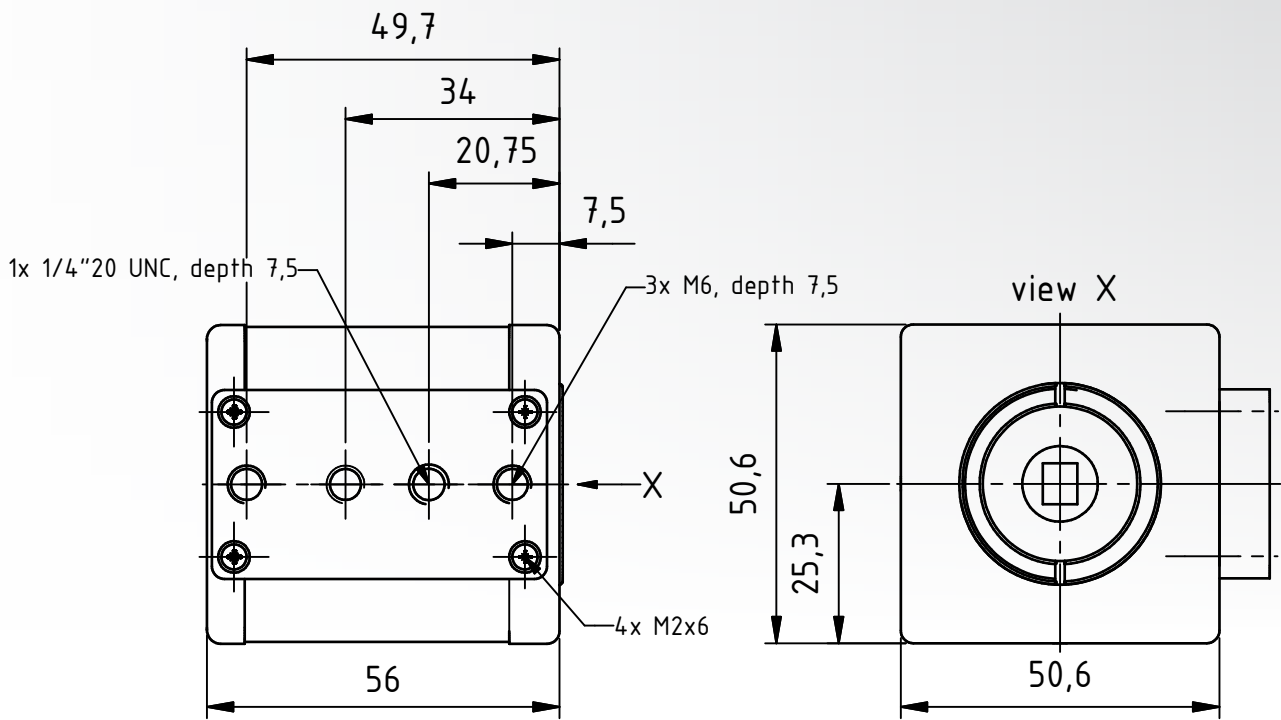
Subject to change

Sony ICX205AL Spectral Response Curve

CCD Sensor in DMK 41AU02



DMK 41AU02 Dimensional Diagram



Dimensions: mm
 Tolerances: DIN ISO 2768m

