



Non-RoHS compliant

TM-700/TM-705 NIR



- **Monochrome**
- **1/2" NIR, or 2/3" high resolution interline transfer CCD**
- **768 x 494 resolution @ 30 fps (EIA)**
- **Micro, rugged construction**
- **Shutter from 1/60 to 1/10,000 sec.**
- **RS-232 adjustable manual gain, AGC, shutter, gamma and field/frame select**
- **External sync in**
- **Mount positionable on all four sides**

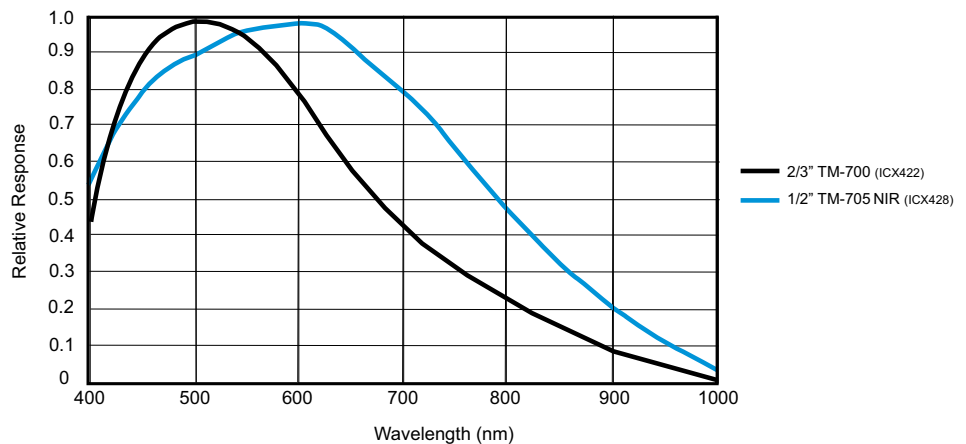
Optional Configurations available ‡

OP1-5	ALC Auto Level Control (EE and AGC)
OP22-5-1	Extended temperature -40°C ~ +65°C (reduced performance may occur)
OP22-5-5	Conformal coat

OEM Custom Modifications

- Mechanically designed to customer specifications available
- MIL-STD requests

Spectral Response



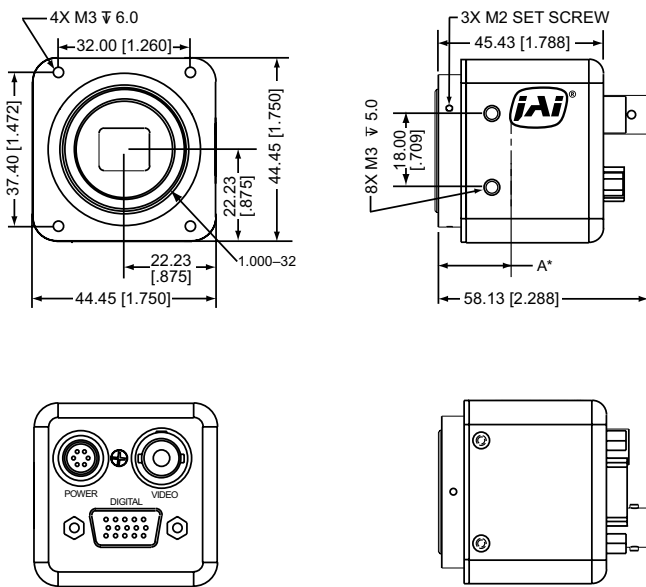
‡ Additional cost incurred



Specifications

	TM-700	TM-705 NIR
Sensor	2/3" interlace CCD ICX422ALL	1/2" NIR interlace CCD ICX428ALL
Active pixels	768 (H) x 493 (V)	
Cell size	11.6 μm x 13.5 μm	8.4 μm x 9.8 μm
Scanning	525 lines / 60 Hz	
Synchronization	Internal/external auto switch HD/VD 4.0 Vp-p impedance 10K Ω VD = interlace/non-interlace HD = 15.73 kHz \pm X %	
TV resolution	570 (H) x 350 (V)	
S/N ratio	50 dB min. (AGC Off)	
Sensitivity	0.20 lux (f=1.4)	0.25 lux (f=1.4)
Video output	1.0 Vp-p composite video, 75 Ω	
AGC	ON/OFF (RS-232 controlled)	
Gamma	0.45 / 1.0 (RS-232 controlled)	
Lens mount	C-mount (adjustable)	
Power requirement	12V DC, 150 mA typical at 25° C	
Operating temperature	-10° C to +50° C	
Storage temperature	-50° C to +70° C	
Vibration	7 Grms (20 Hz to 2000 Hz) Random	
Shock	70 G, 11 ms, half-sine	
Dimensions (H x W x L)	45 x 45 x 46 mm (1.75" x 1.75" x 1.826")	
Weight	102.4 g (without tripod mount)	

Dimensions



*A = 17.3 \pm 1.0 mm absolute distance to lens mount projection
(Effective distance to adjustment ring = 17.526 \pm .05 mm)

Graphical User Interface (GUI)



Connectors

6-Pin Connector

Pin#	Function
1	+12V GND
2	+12V PWR
3	GND
4	AUTO-IRIS
5	GND
6	IRIS PWR (+12V)

15-Pin Connector

1	RX In	9	Zoom Out
2	Video Out	10	GND
3	TX Out	11	Iris Out
4	Focus Out	12	Multi-function
5	GND	13	Ext HD
6	GND	14	EXT VD
7	GND	15	NC
8	GND		

Ordering Information

Camera		
Lead Processing	TM-700, TM-705 NIR	
Optional Accessories (MUST BE ORDERED SEPARATELY)		
Power Supply	TM-700/TM-705 NIR	PD-12UU6PF-AG
Tripod Kit	TP-30	
Cable Assembly	15P-02-gP-AG	

Europe, Middle East & Africa
Phone +45 4457 8888
Fax +45 4491 3252

Asia Pacific
Phone +81 45 440 0154
Fax +81 45 440 0166

JAI Inc.
625 River Oaks Pkwy
San Jose
CA 95134
USA

Phone +1 408-383-0300
(toll-free) 1 800 445 5444
Fax +1 408 383 0660



See the possibilities

www.jai.com