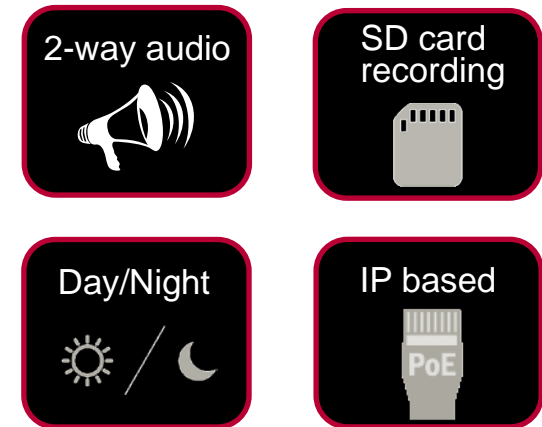


L series | IP box

# LB1022X

## Day & Night 1080P HD IP Camera

www.meritlilin.com



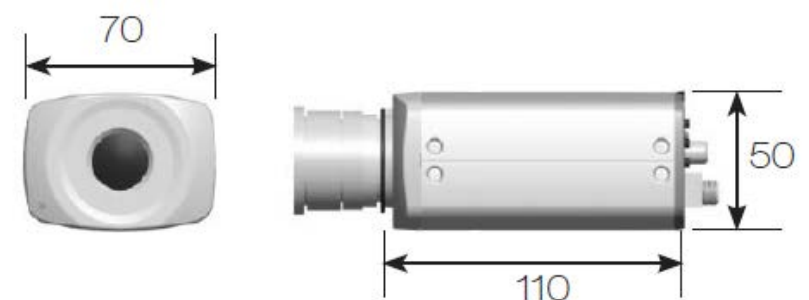
- ▶ Full bodied form factor
- ▶ Easy to install IP camera
- ▶ IR-cut filter for day/night operation
- ▶ 1080p resolution



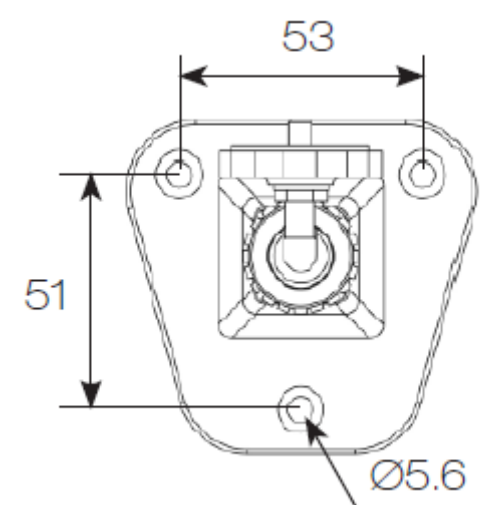
A wide selection of fully bodied IP cameras with built-in cutting edge technology – the right choice for all professional security applications. LB1022 in the L series is featuring built-in Sense Up+ technology to deliver stunning video in low light conditions. Featuring Full HD resolution with superb image quality at 15fps frame rate in 1080P, and the camera is also equipped with a removable IR-cut filter for day/night operation, built-in intelligent video surveillance features such as alarm, audio and motion detection, 3D Noise Reduction, and for un-paralleled visibility in high contrast environments, Automatic Gain Control (AGC) form of amplification to produce usable images, and securing high video quality in providing accurate identification around the clock

**Dimensions:**

70mm(W) x 50mm(H) x 110mm(D)

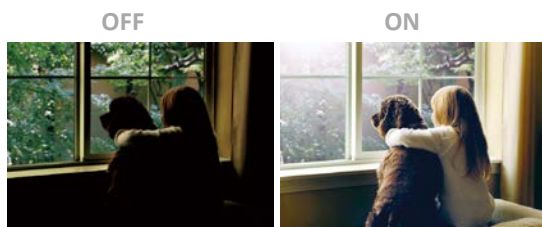


**Diagram of mounting holes: (unit in mm)**



## Back Light Compensation

Back Light Compensation (BLC) adjusts the exposure of the entire image to properly expose the subject in the



foreground. No matter if the main object is moving toward left, right, upper, lower, or any location in the screen, BLC provides perfect exposure for an object in front of strong back light

## SD Cards in Sync with NAV Software

The camera with built-in Micro SD/SDHC card slots can provide



redundant video viewing and recording. You can synchronize an SD card with LILIN VMS (Video Management Software) – Navigator (NAV)

## 3D Noise Reduction

Remove noise from a signal. Suppressing noise in an image in low light conditions and able to retain quality videos at the same time



## Video Security App

Available on Android and iOS – **LILINViewer** app provides security alarm push notification, real-time live viewing, and remote video playback



## ONVIF-compliant

Open Network Video Interface Forum (ONVIF) is a standard for physical IP based security products. The camera is ONVIF Profile S conformant



## Alarm Detection

Alarm Detection is designed to provide the electronic detection of intruders



## Day and Night Operations via Removal of the IR-cut filter

The camera was designed using a mechanical IR cut filter for increased IR sensitivity resulting in improved night time images.



The removable IR-cut filter allows day and night operations even in the low lux condition providing outstanding vision

## Sense Up+

Deliver outstanding video outputs in poor light conditions without experiencing motion blur. You can see video clearly even during nighttime without sufficient lighting support



## Wide Dynamic Range (WDR)

Wide Dynamic Range (WDR) displays details of both the brightest and darkest areas. WDR can extend image visibility under high contrast lighting scenes and improve image quality



## Privacy Masking

Privacy Masking is a feature used to protect personal privacy by concealing private areas in the camera's field of view. Doorways and house windows for example are not subject to surveillance



## Audio Detection

With Audio Detection technology, an alarm is triggered based on ambient sound conditions as the threshold



## Motion Detection

Detect motion and capture the event. Motion in the selected area will provoke an alert



## Day & Night 1080P HD IP Camera

### Video performance

Model#	LB1022EX3
Low Light Mode (Colour)	0.05 Lux at F1.4
2D WDR	Off / Auto / x2 / x3 / x4

### Lens

Focal length	3~10.5 mm (CS Mount)	
Iris	F1.4	
Angle of View	H	100.1° ~ 35.8°
	V	79.2° ~ 21.3°
	D	132° ~ 35.5°

### Power

Power consumption	DC12V, 6W / PoE, 7.5W
PoE	IEEE802.3af
Power supply	DC12V ±10% Power over Ethernet (IEEE 802.3af compliant)

### Sensor

Sensor type	1/2.7" CMOS image sensor
Total sensor pixels	1920 (H) x 1080 (V) = 2,073,600 pixels

### Certifications

CE	EN 55022: 2010 Class A IEC 61000-3-2: 2005+A1: 2008+A2: 2009 IEC 61000-3-3: 2008
FCC	FCC Part 15: Subpart B (10-1-10 Edition) Class A CISPR 22: 2008 Class A

### Environmental

Operating temperature	-25°C ~ +50°C (-13°F ~ 122°F)
-----------------------	-------------------------------

### PC requirement

CPU	Intel Pentium 4 1.8GHz or above
OS	Windows 2000, Windows XP, Windows Vista, Windows 7, Windows 8
RAM	1GB or above, Independent Display Card

### Mechanical

Dimensions (W x H x D)	70mm x 50mm x 110mm
Weight	380g approx.

### Input / output

Audio input / output	Mono, 1.4 Vp-p, 50 KΩ, 3.5mm phone jack
Alarm input / output	Digital 1 input (TTL, +3 ~ 5VDC) / 1 Output (MOS Relay contact N.O., Load max. 40VDC/300mA)
Live video output	CVBS 1.0Vp-p, 75 ohm, BNC connector

### Network security

User accounts	10 users accounts available
Access	Multiple user access levels with password protection
Encryption	Base 64 HTTP encryption

### Video streaming

Video compression	H.264, Motion JPEG
Streaming	RTP/HTTP, RTP/TCP, RTP/UDP, Multicast Multiple configurable streams in H.264 and M-JPEG, configurable frame rate and bandwidth
Bitrate	128Kbps to 8Mbps Frame rate and bitrate controllable on-the-fly VBR / CBR / GOP supported

IP filter	Yes
RTSP Authentication	On / Off

### Video resolution (H x V)

1080p HD	1920 x 1080
720p HD	1280 x 720
D1	720 x 480
CIF	352 x 240
Maximum frame rate	H.264 : up to 15 fps @ 1920 x 1080, 30fps @ 1280 x 720, 30fps @ 720 x 480 Motion JPEG : up to 15 fps @ 1920 x 1080, 30 fps @ 720 x 480, 30 fps @ 352 x 240

### Video functions

Day/Night (IR-cut filter)	Colour (Day), Monochrome (Night), Auto, Schedule, External control
Scanning system	Progressive scan
Adjustable picture setting	Contrast, Brightness, Saturation
White balance	Auto / Tungsten / Indoor / Fluorescents1 / Fluorescents2 / Outdoor1 / Outdoor2
Shutter	1/30(1/25)s ~ 1/8000s
Back light compensation	On / Off
3D noise reduction	Off / 1 to 32 selectable
Privacy masking	Four independent areas
Sense Up	Off / 1 frame / 2 frames / 3 frames / 7 frames
Sense Up+	Yes
Auto gain control	36 dB variable gain
Other functions	Sharpness, Image flip, Image mirror, Hue
D/N quality setting	Yes

### Integration

Mobile application	Integrated to LILIN mobile app (LILINViewer) iPhone, iPad, Android support
Video management	ONVIF Profile S LILIN NAV 1.0 Third party VMS through LILIN HTTP API
SD card recording	Support Micro SD/SDHC card for circular recording (card is not included)
Web browser	Microsoft® Internet Explorer® 6.0 and later
Firmware	Firmware upgrade via HTTP
Alarm functions	Alarm / motion / audio detection triggering recording into SD card Image upload over FTP and E-mail by audio / motion detection
Alarm event	FTP,SMTP, HTTP post, SD card, SAMBA
Alarm weighted mode	Yes

### Network

Ethernet	10Mbps / 100Mbps Base-T, RJ-45
Connectivity	ONVIF Profile S
Users	8 simultaneous users
OSD	Text overlay for date, time and camera name
CPU, Memory	Embedded SoC ARM11, 528MHz, 256MB DDR2, 256MB flash memory
Video display	LILIN Universal ActiveX & LILIN Java Applet
OS	Embedded Linux 2.6.32
2-way audio	G.711 / PCM
Protocols	IPv4, IPv6, TCP, UDP, HTTP, SMTP, NTP, DDNS, UPnP, FTP, ARP, DHCP, PPPoE, DNS, RTSP, RTCP, Telnet, ICMP, IGMP, ONVIF Profile S, SNMP, SIP, Bonjour
Digital zoom	Yes
Multi IP address	Yes