

L series | IP dome camera

# LR312

## HD 30M IR Range Fixed Lens Dome IP Camera

[www.meritlilin.com](http://www.meritlilin.com)



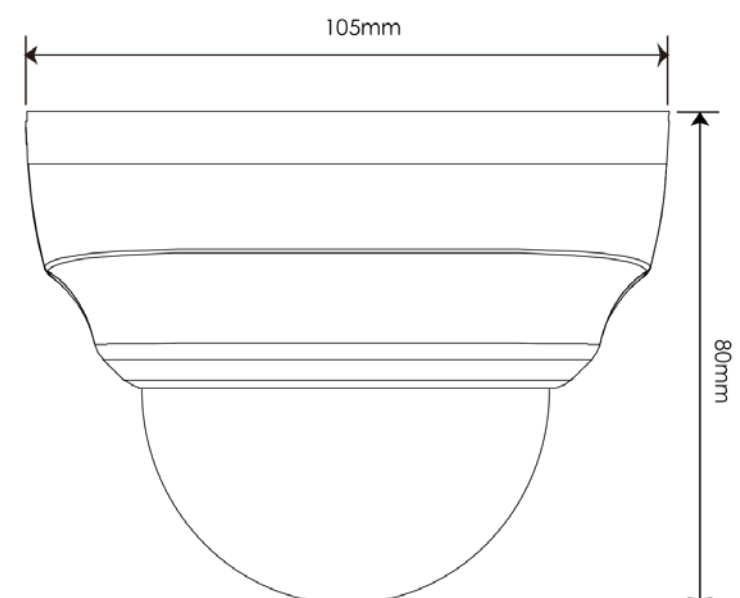
|                            |                                    |                              |
|----------------------------|------------------------------------|------------------------------|
| <b>Easy to Install</b><br> | <b>Back Light Compensation</b><br> | <b>SD card recording</b><br> |
| <b>Day/Night</b><br>       | <b>Infrared</b><br>                | <b>IP based</b><br>          |

- ▶ IR IP Dome Camera
- ▶ IR cut filter for day/night operations
- ▶ Back light compensation
- ▶ 30-meter infrared night vision
- ▶ 1080p resolution @ 15fps
- ▶ Digital zoom supported



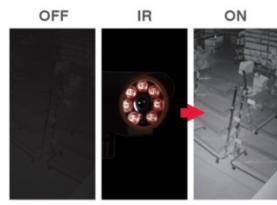
The L series cameras are your economical choice for small and medium sized businesses. LR312 HD 30M IR Range Fixed Lens Dome IP Camera in the L series is featuring 1080P at 15fps, built-in Sense up+ technology to deliver stunning video in low-light conditions. Utilising intelligent image signal processing, 2D WDR function, AGC control, and 3D Noise Reduction, the combination successfully delivers the ultimate low-light image without motion blur. Support with PoE, privacy mask, digital zoom, White balance, and minimum illumination 0.15 Lux at F2.0 Low Light Mode

**Dimensions: (unit: mm)**  
Ø105mm x 80mm



## Built-in IR Illumination

LR312 IP camera with infrared (IR) illumination where IR LEDs are built-in. Built-in with IR LED, the camera provides night vision up to 30 meters



## ONVIF-compliant

Open Network Video Interface Forum (ONVIF) is a standard for physical IP based security products. LR312 camera is ONVIF Profile S conformant



## Video Security App

Available on Android and iOS – **LILINViewer** app provides security alarm push notification, real-time live viewing, and remote video playback



## Day and Night Operations via Removal of the IR-cut filter

LR312 camera was designed using a mechanical IR cut filter for increased IR sensitivity resulting in improved night time images. The removable IR-cut filter allows day and night operations even in the low lux condition providing outstanding vision



## SD Cards in Sync with NAV Software

LR312 camera with built-in Micro SD/SDHC card slots can provide redundant video viewing and recording. You can synchronize an SD card with LILIN VMS (Video Management Software) – Navigator (NAV)



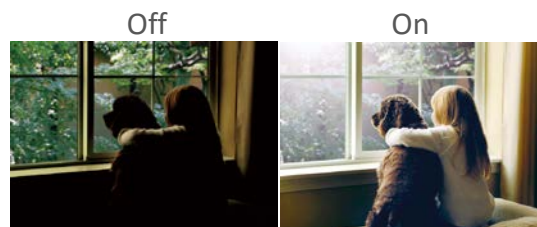
## Sense Up+

Deliver outstanding video outputs in poor light conditions without experiencing motion blur. You can see video clearly even during nighttime without sufficient lighting support



## Back Light Compensation

Back Light Compensation (BLC) adjusts the exposure of the entire image to properly expose the subject in the foreground. No matter if the main object is moving toward left, right, upper, lower, or any location in the screen, BLC provides perfect exposure for an object in front of strong back light



## Ceiling mount

The LR312 dome IP camera can easily be mounted to any ceiling



## 3D Noise Reduction

Remove noise from a signal. Suppressing noise in an image in low light conditions and able to retain quality videos at the same time



## Wide Dynamic Range (WDR)

Wide Dynamic Range (WDR) displays details of both the brightest and darkest areas. WDR can extend image visibility under high contrast lighting scenes and improve image quality



## Motion Detection

Detect motion and capture the event. Motion in the selected area will provoke an alert.



## Privacy Masking

Privacy Masking is a feature used to protect personal privacy by concealing private areas in the camera's field of view. Doorways and house windows for example are not subject to surveillance



## HD 20M IR Range Fixed Lens Dome IP Camera (1080P @ 15fps)

### Video performance

|                   |   |
|-------------------|---|
| Model#            | LR312   |
| Low Light Mode    | Colour: 0.15 Lux at F2.0, B/W: 0.05 Lux at F2.0 |
| With Infrared LED | 0.0 lux   |
| 2D WDR            | Off / Auto / x2 / x3 / x4                       |

### Power

|                   |  |
|-------------------|--|
| Power consumption | PoE, 8.5W                                    |
| Power supply      | Power over Ethernet (IEEE 802.3af compliant) |

### Sensor

|                     |  |
|---------------------|--|
| Sensor type         | 1/2.9" CMOS image sensor               |
| Total sensor pixels | 1920 (H) x 1080 (V) = 2,073,600 pixels |

### Certifications

|     |     |
|-----|-----|
| CE  | Yes |
| FCC | Yes |

### Lens

|               |                          |
|---------------|--------------------------|
| Focal length  | 2.9mm                    |
| Iris          | F2.0                     |
| Angle of View | 102°(H), 58°(V), 118°(D) |

### Night vision (infrared LED)

|                 |           |
|-----------------|-----------|
| Distance        | 30m       |
| Peak wavelength | 850nm     |
| Beam spread     | 45° , 90° |

### Environmental

|                       |                                |
|-----------------------|--------------------------------|
| Operating temperature | -25°C to 50°C (-13°F to 122°F) |
|-----------------------|--------------------------------|

### PC requirement

|     |   |
|-----|---|
| CPU | Intel Pentium 4 1.8GHz or above                               |
| OS  | Windows 2000, Windows XP, Windows Vista, Windows 7, Windows 8 |
| RAM | 1GB or above, Independent Display Card                        |

### Mechanical

|                        |               |
|------------------------|---------------|
| Dimensions (W x H x D) | Ø105mm x 80mm |
| Weight                 | 300g approx.  |

### Integration

|                     |  |
|---------------------|--|
| Mobile application  | Integrated to LILIN mobile app (LILINViewer)<br>iPhone, iPad, Android support                            |
| Video management    | ONVIF Profile S<br>LILIN Navigator Enterprise 1.0<br>Third party VMS through LILIN HTTP API              |
| SD card recording   | Support Micro SD/SDHC card for circular recording (card is not included)                                 |
| Web browser         | Microsoft® Internet Explorer® 6.0 and later  |
| Firmware            | Firmware upgrade via HTTP  |
| Alarm functions     | Motion detection triggering recording into SD card, Image upload over FTP and E-mail by motion detection |
| Alarm event         | FTP,SMTP, HTTP post, SD card, SAMBA  |
| Alarm weighted mode | Yes  |

### Video streaming

|                     |   |
|---------------------|---|
| Video compression   | H.264 , Motion JPEG   |
| Streaming           | RTP/HTTP, RTP/TCP, RTP/UDP, Multicast<br>Multiple configurable streams in H.264 and M-JPEG, configurable frame rate and bandwidth |
| Bitrate             | 128Kbps ~ 8Mbps<br>Frame rate and bitrate controllable on-the-fly<br>VBR / CBR / GOP supported                                    |
| IP filter           | Yes   |
| RTSP Authentication | On / Off  |

### Video resolution (H x V)

|                    |   |
|--------------------|---|
| 1080p HD           | 1920 x 1080   |
| 720p HD            | 1280 x 720  |
| D1                 | 720 x 480   |
| CIF                | 352 x 240   |
| Maximum frame rate | H.264 : up to 15 fps @ 1920 x 1080 , 30fps @ 1280 x 720 , 30fps @ 720 x 480<br>Motion JPEG : up to 15 fps @ 1920 x 1080 , 30 fps @ 720 x 480 , 30 fps @ 352 x 240 |

### Video functions

|                            |  |
|----------------------------|--|
| Day/Night (IR-cut filter)  | Colour (Day), Monochrome (Night), Auto, Schedule                               |
| Scanning system            | Progressive scan   |
| Adjustable picture setting | Contrast, Brightness, Saturation   |
| White balance              | Auto / Tungsten / Indoor / Fluorescents1 / Fluorescents2 / Outdoor1 / Outdoor2 |
| Shutter                    | 1/30(1/25)s to 1/8000s   |
| Back light compensation    | On / Off   |
| 3D noise reduction         | Off / 1 to 32 selectable   |
| Privacy masking            | Off / On (4 independent areas)   |
| Sense Up                   | Off / 1 frame / 2 frames / 3 frames / 7 frames                                 |
| Sense Up+                  | Yes  |
| Auto gain control          | 36 dB variable gain  |
| Other functions            | Sharpness, Image flip, Image mirror, Hue                                       |
| D/N quality setting        | Yes  |

### Network

|                  |  |
|------------------|--|
| Ethernet         | 10Mbps / 100Mbps Base-T, RJ-45   |
| Connectivity     | ONVIF Profile S  |
| Users            | 8 simultaneous users   |
| Digital zoom     | Yes  |
| OSD              | Text overlay for date, time and camera name  |
| CPU, Memory      | Embedded SoC ARM11, 528MHz, 256MB DDR2, 256MB flash memory   |
| Video display    | LILIN Universal ActiveX & LILIN Java Applet  |
| OS               | Embedded Linux 2.6.32  |
| Protocols        | IPv4, IPv6, TCP, UDP, HTTP, SMTP, NTP, DDNS, UPnP, FTP, ARP, DHCP, PPPoE, DNS, RTSP, RTCP, Telnet, ICMP, IGMP, ONVIF Profile S, SNMP, SIP, Bonjour |
| Multi IP address | Yes  |

### Network security

|               |  |
|---------------|--|
| User accounts | 10 user accounts available                           |
| Access        | Multiple user access levels with password protection |
| Encryption    | Base 64 HTTP encryption                              |