

# MR632

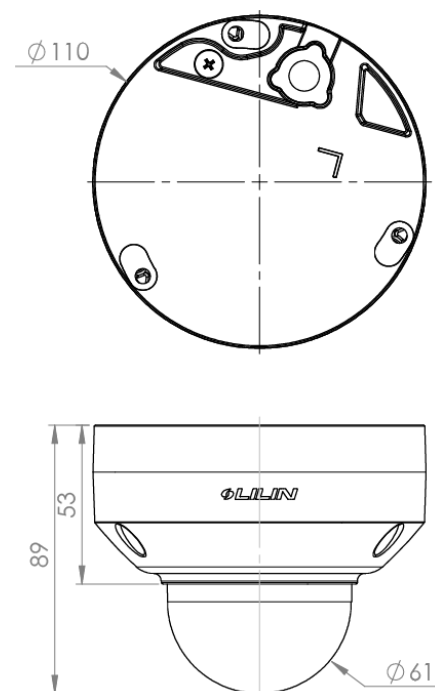
## Outdoor HD 30M-Range IR Range Fixed Dome IP Camera



- ▶ Outdoor Dome Camera
- ▶ IR cut filter for day/night operations
- ▶ IP66 rain and dust resistant
- ▶ 30-meter infrared night vision
- ▶ 1080p resolution @ 30 FPS

### Dimensions (unit in mm):

Ø110mm x 89mm



MR632 HD 30M IR Range Fixed Dome IP Camera in the M series features 1080p resolution at 30 frames per second, built-in Sense up+ technology to deliver stunning video in low-light conditions. Utilizing IP66, HDR, AGC control, and 3D Noise Reduction, the combination successfully delivers the ultimate low-light image with infrared. The support of PoE, privacy mask, and white balance, as well as the minimum illumination of 0.15 Lux at F2.0 will satisfy multiple applications.

## Wind and Rain Standards

Meet international IP66 standards for dust and moisture resistant. In installations in environments, all cameras are subject to wind and rain



## Sense Up+

Sense up+ is able to deliver outstanding video outputs in poor light conditions without experiencing motion blur. With this technology, you can see video more clearly during nighttime when sufficient lighting is lacking.



## Video Security App

LILINViewer is available for both Android and iOS devices. This application provides security alarm push notification, real-time live viewing, and remote video playback.



## ONVIF-compliant

Open Network Video Interface Forum (ONVIF) is a standard for physical IP based security products. MR632 camera is ONVIF Profile S conformant



## 3D Noise Reduction

This function removes noise occurred in a video. Suppressing noise in low light conditions will retain details in a video and optimize the quality.



## SD Cards in Sync with NAV Software

The camera is designed with Micro SD/SDHC/SDXC card slots to provide video playback and recording. You can even synchronize an SD card with LILIN VMS (Video Management Software) – Navigator (NAV).



## Back Light Compensation

Back Light Compensation (BLC) adjusts the exposure of the entire image to properly expose the subject of interest. Whether the subject is moving toward left, right, up, down, or any direction on the screen, BLC will provide the perfect exposure for the subject in front of a strong back light.



## Built-in IR Illumination

The camera includes infrared (IR) LEDs for IR illumination to provide night vision up to 30 meters.



## Day and Night Operations via Removal of the IR-cut filter

MR632 is equipped with a mechanical IR cut filter to increase IR sensitivity and improve nighttime images. The adjustable filter allows day and night operations even in the low lux conditions, and can provide outstanding vision.



## Motion Detection

If properly set up, any motion in front of the camera will be detected and saved as an event. Motion in the selected area will provoke an alert.



## Privacy Masking

Privacy Masking can protect personal privacy by concealing specific areas in the camera's field of view. Doorways and house windows for example are not subject to surveillance.



## Outdoor HD 30M-Range IR Fixed Dome IP Camera (1080p @ 30FPS)

Video performance	
Model#	MR632
Min. Illumination	0.15 Lux at F2.0 (Color) 0.05 Lux at F2.0 (B/W)
With Infrared LED	0 Lux

Power	
Power consumption	DC12V, 4.8W / PoE, 6W
PoE	IEEE 802.3af
Power supply	DC12V ±10% Power over Ethernet (IEEE 802.3af compliant)

Sensor	
Sensor type	1/2.7" CMOS image sensor
Total sensor pixels	1920 (H) x 1080 (V) = 2,073,600 pixels

Certifications	
CE	Yes
FCC	Yes
IP Rating	IP66 waterproof
Vandal rating	IK10

PC requirement	
CPU	Intel i3 or above
OS	Windows 7, Windows 8, Windows 10
RAM	4GB or above, dedicated graphics card

Mechanical	
Dimensions	110mm x 89mm approx.
Weight	500g

Video streaming	
Video compression	H.264 , Motion JPEG
Streaming	RTP/HTTP, RTP/TCP, RTP/UDP, Multicast Multiple configurable streams in H.264 and Motion JPEG, configurable frame rate and bandwidth
Bitrate	128Kbps – 8Mbps Frame rate and bit rate controllable on-the-fly VBR / CBR / GOP supported Fixed bitrate

Network security	
User accounts	10 user accounts available
Access	Multiple user access levels with password protection
Encryption	Base 64 HTTP encryption
IP address filter	Yes
RTSP Authentication	On / Off

Integration	
Mobile application	Supports LILIN mobile app (LILIN Viewer) in both iOS and Android versions
Video management	ONVIF Profile S LILIN Navigator Enterprise 1.0 and 2.0 Third party VMS through LILIN HTTP API
SD card recording	Support Micro SD/SDHC card for circular recording (card is not included)
Web browser	Microsoft® Internet Explorer® 9.0 and later
Firmware	Firmware upgrade via HTTP, and IP Scan
Alarm event triggers	Motion/Tamper/Network lost detection
Alarm event actions	FTP, SMTP, HTTP post, SD card, SAMBA
Alarm weighted mode	Supported

Environmental	
Operating temperature	-40°C – +50°C (-40°F – 122°F)

Lens / Night vision (infrared LED)	
Focal length	4mm
Iris	F2.0
Angle of view	H 94°
	V 50°
	D 102°
Distance	30m
Peak wavelength	850nm
Beam spread	60°

Video resolutions (H x V)	
1080p	1920 x 1080
720p	1280 x 720
D1	720 x 480
CIF	352 X 240
Maximum frame rate	H.264: up to 30 FPS @ 1920 x 1080, 30 FPS @ 720 x 480
	Motion JPEG: up to 15 FPS @ 1920 x 1080 30 FPS @ 720 x 480, 30 FPS @ 352 x 240

Video functions	
Day/Night (IR-cut filter)	Color (Day), Monochrome (Night), Auto, Schedule
Scanning system	Progressive scan
Adjustable picture setting	Contrast, Brightness, Saturation
White balance	Auto / Tungsten / Indoor / Fluorescents1 / Fluorescents2 / Outdoor1 / Outdoor2
Shutter	1/30(1/25)s to 1/8000s
Back light compensation	On / Off
2D WDR	Off / Auto / x2 / x3 / x4
3D noise reduction	Off / 1 to 32 selectable
Privacy masking	Off / On (4 independent areas)
Sense Up	Off / 1 frame / 2 frames / 3 frames / 7 frames
Sense Up+	Yes
Auto gain control	36 dB variable gain
Other functions	Sharpness, Image flip, Image mirror, Hue, Corridor
D/N quality setting	Supported

Network	
Ethernet	10Base-T / 100Base-TX, RJ-45
Connectivity	ONVIF Profile S / LILIN API (CGI)
Users	10 simultaneous users
OSD	Text over for date, time, and camera name
CPU, Memory	Embedded SoC ARM11, 528MHz, 256MB DDR3, 256MB flash memory
Video display	LILIN Universal ActiveX & LILIN Java Applet
OS	Embedded Linux 2.6.32

Protocols	IPv4, IPv6, TCP, UDP, HTTP, SMTP, NTP, DDNS, UPnP, FTP, ARP, DHCP, PPPoE, DNS, RTSP, RTCP, Telnet, ICMP, IGMP, ONVIF Profile S, SNMP, SIP, SDDP, Bonjour
Languages	English, Traditional Chinese, Simplified Chinese, Spanish, Italian, Turkish, Russian, Korean, French, Arabic, Hungarian, Japanese
Multiple IP addresses	Supported

Copyright © Merit LILIN 2017 | All rights reserved | Product specifications and availability are subject to change without notice