

M series | IP bullet camera

MR832

Outdoor HD 30M IR Range Fixed Lens IP Camera

www.meritlilin.com



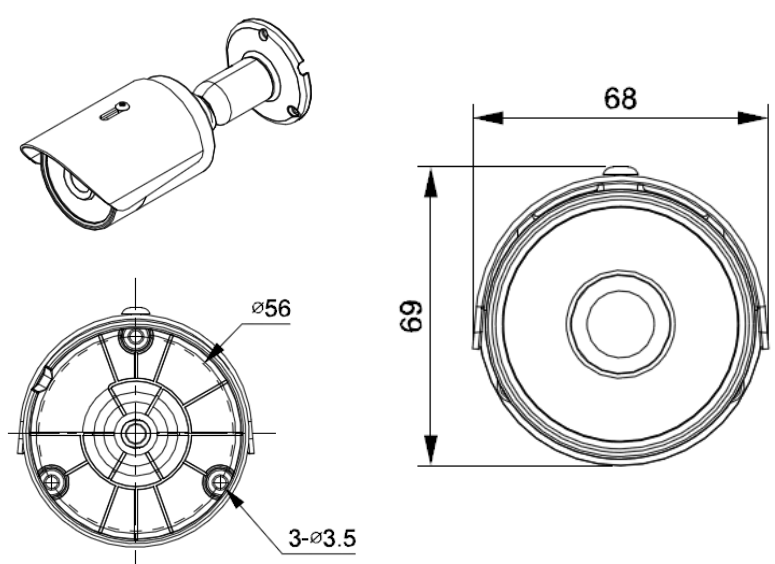
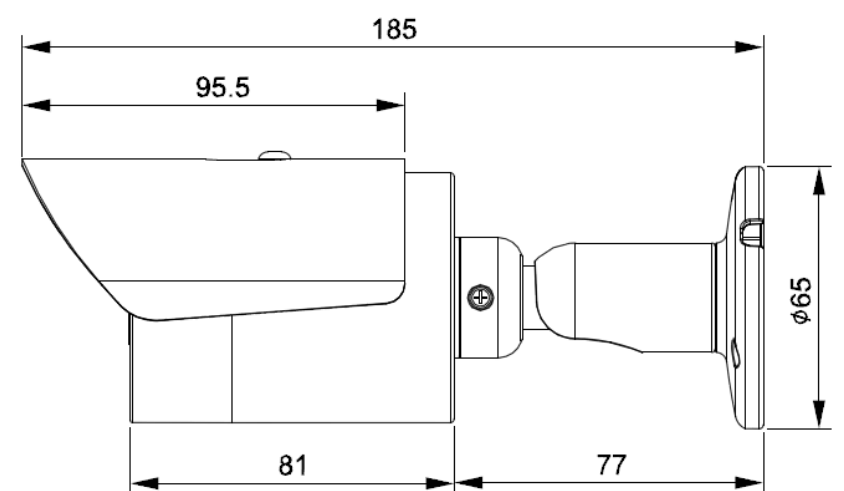
Easy to Install 	IP66 	SD card recording
Day/Night 	Infrared 	IP based

- ▶ Outdoor Bullet Camera
- ▶ IR cut filter for day/night operations
- ▶ IP66 rain and dust resistant
- ▶ 30-meter infrared night vision
- ▶ 1080p resolution @ 30fps



Dimensions: (unit: mm)

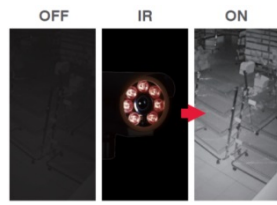
Body : 68(W) x 69(H) x 185(D) approx.



MR832 Outdoor rated HD 30M IR Range Fixed Lens IP Camera in the M series is featuring 1080P at 30fps frame rate, built-in Sense up+ technology to deliver stunning video in low-light conditions. Utilising intelligent image signal processing, 2D WDR function, ePTZ, Region of Interest (ROI), AGC control, and 3D Noise Reduction, the combination successfully delivers the ultimate low-light image without motion blur. The IP66-rated housing is designed to help the camera body withstand rain and dust and ensures operation under a multitude of harsh weather conditions. Support with PoE, privacy mask, White balance, and minimum illumination 0.15 Lux at F2.0 Low Light Mode

Built-in IR Illumination

MR832 IP camera with infrared (IR) illumination where IR LEDs are built-in. Built-in with IR LED, the camera provides night vision up to 30 meters



ONVIF-compliant

Open Network Video Interface Forum (ONVIF) is a standard for physical IP based security products. MR832 camera is ONVIF Profile S conformant



Video Security App

Available on Android and iOS – LILINViewer app provides security alarm push notification, real-time live viewing, and remote video playback



Day and Night Operations via Removal of the IR-cut filter

MR832 camera was designed using a mechanical IR cut filter for increased IR sensitivity resulting in improved night time images. The removable IR-cut filter allows day and night operations even in the low lux condition providing outstanding vision



SD Cards in Sync with NAV Software

MR832 camera with built-in Micro SD/SDHC card slots can provide redundant video viewing and recording. You can synchronize an SD card with LILIN VMS (Video Management Software) – Navigator (NAV)



Sense Up+

Deliver outstanding video outputs in poor light conditions without experiencing motion blur. You can see video clearly even during nighttime without sufficient lighting support



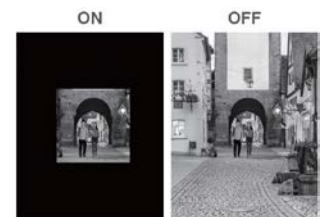
Wind and Rain Standards

Meet international IP66 standards for dust and moisture resistant allowing you to install cameras in environments subject to wind and rain



Region of Interest (ROI)

A Region of Interest (ROI) is a specified part of an image that is highlighted from a camera. This feature is great for highlighting areas such as doors or areas of access where an overall scene is still required



3D Noise Reduction

Remove noise from a signal. Suppressing noise in an image in low light conditions and able to retain quality videos at the same time



Wide Dynamic Range (WDR)

Wide Dynamic Range (WDR) displays details of both the brightest and darkest areas. WDR can extend image visibility under high contrast lighting scenes and improve image quality



Motion Detection

Detect motion and capture the event. Motion in the selected area will provoke an alert.



Privacy Masking

Privacy Masking is a feature used to protect personal privacy by concealing private areas in the camera's field of view. Doorways and house windows for example are not subject to surveillance



Outdoor HD 20M IR Range Fixed Lens IP Camera (1080P @ 30fps)

Video performance

Model#	MR832
Low Light Mode	Colour: 0.15 Lux at F2.0, B/W: 0.05 Lux at F2.0
With Infrared LED	0.0 lux
2D WDR	Off / Auto / x2 / x3 / x4

Power

Power consumption	DC12V, 7.5W / PoE, 8.5W
PoE	IEEE 802.3af
Power supply	DC12V ±10% Power over Ethernet (IEEE 802.3af compliant)

Sensor

Sensor type	1/2.7" CMOS image sensor
Total sensor pixels	1920 (H) x 1080 (V) = 2,073,600 pixels

Certifications

CE	Yes
FCC	Yes
IP Rating	IP66 waterproof

Lens

Focal length	4mm
Iris	F2.0
Angle of View	94°(H), 50°(V), 102°(D)

Night vision (infrared LED)

Distance	30m
Peak wavelength	850nm
Beam spread	60° , 90°

Environmental

Operating temperature	-40°C to 50°C (-40°F to 122°F)
-----------------------	--------------------------------

PC requirement

CPU	Intel Pentium 4 1.8GHz or above
OS	Windows 2000, Windows XP, Windows Vista, Windows 7, Windows 8
RAM	1GB or above, Independent Display Card

Mechanical

Dimensions (W x H x D)	68mm x 69mm x 185mm approx.
Weight	450g approx.
Window	Ø58 Heat Resistant Glass

Integration

Mobile application	Integrated to LILIN mobile app (LILINViewer) iPhone, iPad, Android support
Video management	ONVIF Profile S LILIN Navigator Enterprise 1.0 Third party VMS through LILIN HTTP API
SD card recording	Support Micro SD/SDHC card for circular recording (card is not included)
Web browser	Microsoft® Internet Explorer® 6.0 and later
Firmware	Firmware upgrade via HTTP
Alarm functions	Motion detection
Alarm event	FTP,SMTP, HTTP post, SD card, SAMBA
Alarm weighted mode	Yes

Video streaming

Video compression	H.264 , Motion JPEG
Streaming	RTP/HTTP, RTP/TCP, RTP/UDP, Multicast Multiple configurable streams in H.264 and M-JPEG, configurable frame rate and bandwidth
Bitrate	128Kbps~8Mbps Frame rate and bitrate controllable on-the-fly VBR / CBR / GOP supported
IP filter	Yes
RTSP Authentication	On / Off

Video resolution (H x V)

1080p HD	1920 x 1080
720p HD	1280 x 720
D1	720 x 480
CIF	352 x 240
Maximum frame rate	H.264 : up to 30 fps @ 1920 x 1080 , 30fps @ 1280 x 720 , 30fps @ 720 x 480 Motion JPEG : up to 15 fps @ 1920 x 1080 , 30 fps @ 720 x 480 , 30 fps @ 352 x 240

Video functions

Day/Night (IR-cut filter)	Colour (Day), Monochrome (Night), Auto, Schedule
Scanning system	Progressive scan
Adjustable picture setting	Contrast, Brightness, Saturation
White balance	Auto / Tungsten / Indoor / Fluorescents1 / Fluorescents2 / Outdoor1 / Outdoor2
Shutter	1/30(1/25)s to 1/8000s
Back light compensation	On / Off
3D noise reduction	Off / 1 to 32 selectable
Privacy masking	Off / On (4 independent areas)
Sense Up	Off / 1 frame / 2 frames / 3 frames / 7 frames
Sense Up+	Yes
Auto gain control	36 dB variable gain
Other functions	Sharpness, Image flip, Image mirror, Hue
D/N quality setting	Yes

Network

Ethernet	10Mbps / 100Mbps Base-T, RJ-45
Connectivity	ONVIF Profile S
Users	8 simultaneous users
ePTZ & Digital zoom	Yes, ROI is supported
OSD	Text overlay for date, time and camera name
CPU, Memory	Embedded SoC ARM11, 528MHz, 256MB DDR2, 256MB flash memory
Video display	LILIN Universal ActiveX & LILIN Java Applet
OS	Embedded Linux 2.6.32
Protocols	IPv4, IPv6, TCP, UDP, HTTP, SMTP, NTP, DDNS, UPnP, FTP, ARP, DHCP, PPPoE, DNS, RTSP, RTCP, Telnet, ICMP, IGMP, ONVIF Profile S, SNMP, SIP, Bonjour
Multi IP address	Yes

Network security

User accounts	10 user accounts available
Access	Multiple user access levels with password protection
Encryption	Base 64 HTTP encryption