

PTZ series | Outdoor PTZ Camera

# PSD4624EX20

## 20X Day & Night 60fps Full HD PTZ Dome IP Camera

www.meritlilin.com



|                       |                           |                        |                              |
|-----------------------|---------------------------|------------------------|------------------------------|
| <b>Speed Dome</b><br> | <b>Defog function</b><br> | <b>IP66</b><br>        | <b>SD card recording</b><br> |
| <b>20X zoom</b><br>   | <b>PTZ control</b><br>    | <b>Day / Night</b><br> | <b>IP based</b><br>          |

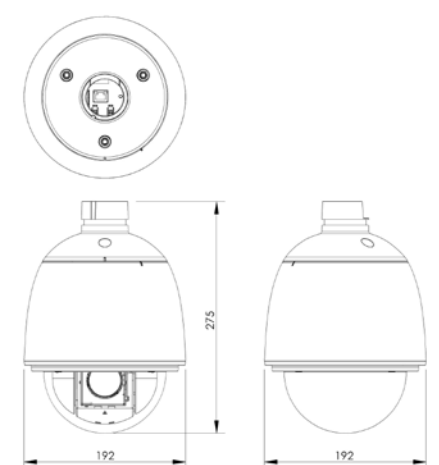


The PSD4624EX20 is 1080P HD PTZ Dome IP Camera featuring 20X optical zoom capability. The high-speed dome is capable of streaming HD video at up to 60 frames per second. Featuring Wide dynamic Range (WDR) feature, the PSD4624EX20 captures highlights and shadows simultaneously, eliminating pixilation and smear. Capable of making 360° continuous rotations, users can accurately position the camera to identify specific targets. PSD4624EX20 PTZ camera provide IP66-rated protection against water and dust. With built-in heaters and fans, the cameras are able to be used in temperatures ranging from -40 °C ~ +50°C. The 20X optical zoom gives the PSD4624EX20 an impressive range. With a focal length of 4.3mm (WIDE)~ 86mm (TELE), PSD4624EX20 is ideal for numerous applications.

| Mounting Options |                |
|------------------|----------------|
| Wall Mount       | BTS03W<br>     |
|                  | PIH-520LBW<br> |
| Wall Mount       | PIH-520LW<br>  |
|                  | PIH-520G<br>   |
| Swan Neck        | PIH-520HBW<br> |
| Pendant Mount    | BTS06W<br>     |
|                  |                |

- ▶ Outdoor PTZ camera
- ▶ 20X optical zoom
- ▶ IP66 rain and dust resistant
- ▶ IR cut filter for day/night operations
- ▶ 1080p resolution
- ▶ Wide Dynamic Range up to 90dB
- ▶ H.264 and Motion JPEG multi-profile video streaming

**Dimensions: (unit: mm)**  
Body : 275 (H) x 192 (D)



# Product Features

## PTZ Control Function

Pan-Tilt-Zoom (PTZ) cameras are able to perform remote directional and zoom control. Capable of making 360° continuous rotations and 180° tilt angle, the cameras field of view can be quickly zoomed and repositioned as needed to identify specific targets



## 20X Optical Zoom

Remote pan/tilt/zoom operations with 20X optical lens makes it possible to zoom in on distant object with absolute clarity



## Video Security App

Available on Android and iOS – **LILINViewer** app provides security alarm push notification, real-time live viewing, and remote video playback



## Day and Night Operations via Removal of the IR-cut filter

PSD4624 camera was designed using a mechanical IR cut filter for increased IR sensitivity resulting in improved night time images. The removable IR-cut filter allows day and night operations even in the low lux condition providing outstanding vision



## SD Cards in Sync with NAV Software

PSD4624 camera with built-in Micro SD/SDHC card slots can provide redundant video viewing and recording. You can synchronise an SD card with LILIN VMS (Video Management Software) – Navigator (NAV)



## Motion Detection

Detect motion and capture the event. Motion in the selected area will provoke an alert



## Wind and Rain Standards

Meet international IP66 standards for dust and moisture resistant allowing you to install cameras in environments subject to wind and rain



## Two-way Audio Support

With 2-way audio communication, you can project your voice through the camera's speaker instead of hearing what's going on (1-way audio)



## ONVIF-compliant

Open Network Video Interface Forum (ONVIF) is a standard for physical IP based security products. PSD4624 PTZ camera is ONVIF Profile S conformant



## Wide Dynamic Range (WDR)

Wide Dynamic Range (WDR) displays details of both the brightest and darkest areas. WDR can extend image visibility under high contrast lighting scenes and improve image quality



## Alarm Detection

Alarm Detection is designed to provide the electronic detection of intruders



## Audio Detection

With Audio Detection technology, an alarm is triggered based on ambient sound conditions as the threshold



# Technical Specifications

## 20X Day & Night 1080P 60fps Full HD PTZ Dome IP Camera

### Video performance

|                         |   |
|-------------------------|---|
| Model#                  | PSD4624EX20   |
| Low Light Mode (Colour) | 0.5 lux (1/30 sec, F1.6(Wide), 50IRE, AGC-Gain: 30dB ICR-OFF Color mode)<br>0.1 lux (1/30 sec, F1.6(Wide), 50IRE, AGC-Gain: 30dB ICR-ON B/W mode)<br>0.2 lux (1/ 8 sec, F1.6(Wide), 50IRE, AGC-Gain: 30dB ICR-OFF Color mode)<br>0.01 lux (1/ 8 sec, F1.6(Wide), 50IRE, AGC-Gain: 30dB ICR-ON B/W mode) |
| WDR                     | Yes   |

### Power

|                   |   |
|-------------------|---|
| Power consumption | 30W, 55W (Heater ON)                      |
| PoE+              | High power PoE                            |
| Power supply      | AC24V±10% / DC24V<br>Power over Ethernet+ |

### Sensor

|                        |  |
|------------------------|--|
| Sensor type            | 1/2.8" Type CMOS Sensor                  |
| Effective pixels       | 1944 (H) x 1224 (V) = 2,379,456 (pixels) |
| Total number of pixels | 1952 (H) x 1236 (V) = 2,412,672 (pixels) |

### Certifications

|           |                 |
|-----------|-----------------|
| CE        | Yes             |
| FCC       | Yes             |
| UL        | Yes             |
| IP Rating | IP66 waterproof |

### Lens

|                         |  |
|-------------------------|--|
| Zoom ratio              | 20X Optical Zoom   |
| Focal length            | 4.3 mm (WIDE) ~ 86.0 mm (TELE)   |
| Minimum aperture ratio  | 1:1.6 (WIDE) ~ 5.0 (TELE)  |
| Minimum object distance | 10mm (WIDE end), 1.5m (TELE end)   |
| Iris range              | F1.6~32, close   |
| Angle field of view     | Approx. 64.45°(H) 39.27°(V) (WIDE end), approx. 3.58°(H) 2.01°(V) (TELE end), (1080p mode) |

### Pan & Tilt

|               |   |
|---------------|---|
| Panning range | 360° Endless  |
| Panning mode  | Manual, Auto, Manual Position, Sequential Position  |
| Panning speed | Manual Approx. 0.1°/s ~ 120°/s 8 Steps / Preset Approx. 1°/s ~ 360°/s, Alarm Trigger Speed 360°/s |
| Tilting range | -6° ~ +180°   |
| Tilting mode  | Manual, Auto, Manual Position, Sequential Position  |
| Tilting speed | Manual Approx. 0.1°/s ~ 120°/s 8 Steps / Preset Approx. 1°/s ~ 360°/s, Alarm Trigger Speed 360°/s |

### Environmental

|                               |                                |
|-------------------------------|--------------------------------|
| Ambient operating temperature | -40°C to 50°C (-40°F to 122°F) |
| Operating humidity            | 0%~90%                         |

### PC requirement

|             |   |
|-------------|---|
| CPU         | Intel Core 2 Duo E6400 2.13GHz or above                       |
| OS          | Windows 2000, Windows XP, Windows Vista, Windows 7, Windows 8 |
| RAM         | 2GB or above, Independent Display Card                        |
| Web browser | Microsoft® Internet Explorer® 6.0 and later                   |

### Mechanical

|                    |               |
|--------------------|---------------|
| Dimensions (H x D) | 275mm x 192mm |
| Weight             | 2750g approx. |

### Heater & Fan

|                   |                     |
|-------------------|---------------------|
| Heater activation | On: 15°C, Off: 25°C |
| Fan activation    | On: 35°C, Off: 25°C |

### Main functions

|                    |  |
|--------------------|--|
| Control function   | Pan and Tilt / Zoom and Focus / Iris and ICR / 256 Preset Position / Home Position |
| Digital zoom ratio | 16X  |
| Zoom speed         | 0 ~ 7 Selectable [ Fast : Approx. 6.0 Second ( Tele to Wide ) in Manual Mode ]     |
| Focus speed        | 0 ~ 7 Selectable [ Fast : Approx. 6.0 Second ( Far to Near ) in Manual Mode ]      |
| Focus              | Auto ( Continue / Interval / Zoom Trigger / One Push ), Manual Focus               |
| Iris               | ALC ( Adjustable Output Target Level ) / Manual                                    |

### Input / output

|                      |  |
|----------------------|--|
| Alarm input / output | 4 Input (TTL 5Vdc), 2 Output (0.5A 120Vac, 1A 24Vac) |
| Video output         | CVBS 1.0 Vp-p / 75 Ω BNC                             |

### Video streaming

|                   |   |
|-------------------|---|
| Video compression | H.264 Main and High Profile, Motion JPEG  |
| Streaming         | RTP/HTTP, RTP/TCP, RTP/UDP, Multicast   |
| Bitrate           | 128Kbps to 12Mbps<br>Frame rate and bit rate controllable on-the-fly<br>VBR / CBR / GOP supported |

### Video resolution (H x V)

|            |   |
|------------|---|
| 1080p HD   | 1920 x 1080   |
| 720p HD    | 1280 x 720  |
| D1         | 720 x 480   |
| CIF        | 352 x 240   |
| Frame rate | Dual-stream mode, H.264 : up to 60 FPS @ 1920 x 1080, Motion JPEG : up to 30 FPS @ 720 x 480<br>2WDR mode, H.264 : up to 30 FPS @ 1920 x 1080, Motion JPEG : up to 30 FPS @ 720 x 480 |

### Video functions

|                             |  |
|-----------------------------|--|
| Day/Night (IR-cut filter)   | Colour (Day), Monochrome (Night), Auto                                   |
| Scanning system             | Progressive scan   |
| White balance               | ATW/Indoor(3200K)/Outdoor(5800K) /Manual(1800K ~10500K)                  |
| Shutter                     | Auto / manual(1/1 to 1/100,000)  |
| Adjustable settings         | Sharpness  |
| Exposure mode               | Auto / Manual  |
| Back light compensation     | Off / BLC / WDR  |
| Digital noise reduction     | Off / On (2D, 3D)  |
| Dynamic privacy zone mask   | Off / On (up to 16 areas)  |
| Auto mode                   | Off / AUTO / SEQ / TOUR  |
| Web PTZ control             | Pan, tilt, zoom-in / zoom-out, absolute position, and video-click-n-move |
| Schedule setting            | Off / Auto Mode / Preset position  |
| Digital image stabilization | Off / On   |
| Auto gain control           | 0 ~ 30dB   |
| Other functions             | Defog, Mirror effect   |
| D/N quality setting         | Yes  |

### Integration

|                     |   |
|---------------------|---|
| Mobile application  | Integrated to LILIN mobile app (LILINViewer) iPhone, iPad, Android support  |
| Video management    | ONVIF Profile S<br>LILIN CMX3.6 / NAV 1.0<br>Third party VMS through LILIN HTTP API   |
| SD card recording   | Support Micro SD/SDHC/SDXC card for circular recording (card is not included)   |
| Firmware            | Firmware upgrade via HTTP<br>Firmware available to download at meritilin.com  |
| Alarm functions     | Alarm / motion / audio detection triggering recording into SD card<br>Image upload over HTTP, FTP, and E-mail by audio / motion detection |
| Alarm event         | FTP,SMTP, HTTP post, SD card, SAMBA   |
| Alarm weighted mode | Support   |

### Network

|                       |   |
|-----------------------|---|
| Ethernet              | 10/100/1000Mbps Base-T, RJ-45   |
| Connectivity          | ONVIF Profile S   |
| Users                 | 8 simultaneous users  |
| PTZ preset scheduling | Yes, via Web interface  |
| OSD                   | Text overlay for date, time, camera name, and PTZ position  |
| CPU, Memory           | Embedded SoC, 1.2GHz Dual ARM Cortex-A9 & 600MHz ARM11, 1GB DDR3, 256MB flash memory  |
| Video display         | LILIN Universal ActiveX & LILIN Java Applet   |
| OS                    | Embedded Linux 3.8.0  |
| 2-way audio           | G.711 / PCM   |
| Protocols             | IPv4, IPv6, TCP, UDP, HTTP, SMTP, NTP, DDNS, UPnP, FTP, ARP, DHCP, PPPoE, DNS, RTSP, RTCP, Telnet, ICMP, IGMP, ONVIF Profile S, SNMP, SIP |
| Multi IP address      | Yes   |

### Network security

|                     |  |
|---------------------|--|
| User accounts       | 10 users accounts available                          |
| Access              | Multiple user access levels with password protection |
| Encryption          | Base 64 HTTP encryption                              |
| IP filter           | Yes  |
| RTSP Authentication | On / Off   |