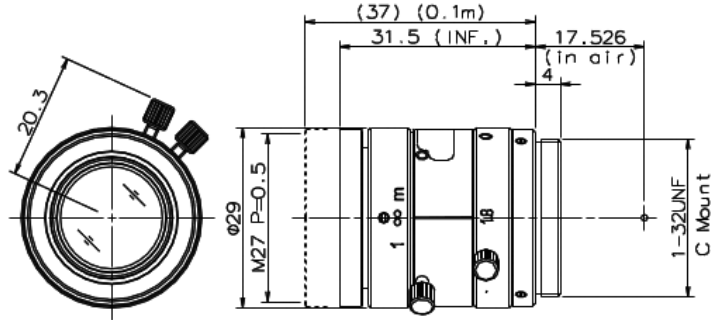


## M112FM25



### SPECIFICATIONS

			M112FM25
Imager Size			1/1.2
Mount Type			C
Focal Length			25mm
Aperture Range			1.8 - 16
Angle of View (Horizontal x Vertical)	1/1.2	[ 4:3 ]	24.1° x 18.2°
		[ 16:9 ]	26.2° x 15.0°
	2/3	[ 4:3 ]	19.9° x 15.0°
		[ 16:9 ]	21.7° x 12.3°
Focusing Range			0.1m - ∞
Operation	Focus	Manual with Lock	
	Iris	Manual with Lock	
Filter Size			M27 P=0.5
Wave Size			Visible Light
TV Distortion			-0.09%
Weight			54g
Operating Temperature			-20°C - +60°C
Wiring Diagram			

### Download

You can download the specifications.

- [▶ Download Leaflet](#)
- [▶ Download Specifications](#)
- [▶ Download Working Distance Data](#)