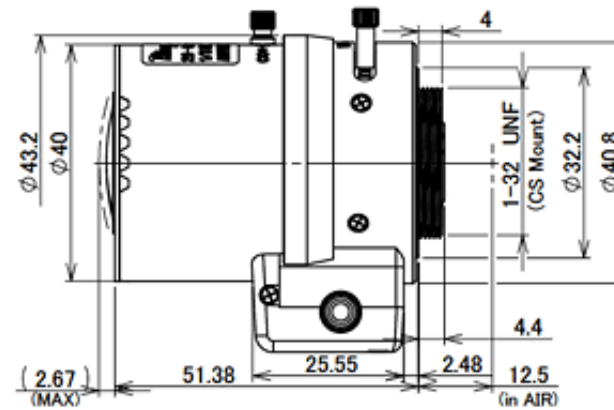
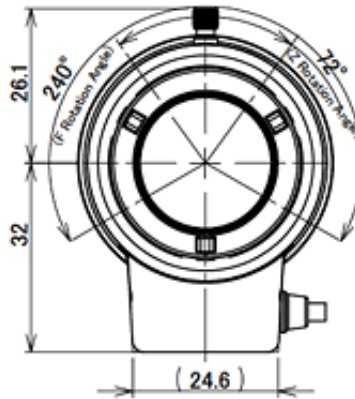


CCTV Lenses/Model : M13VG288IR

Close

CCTV Lenses

## M13VG288IR



### SPECIFICATIONS

M13VG288IR

Imager Size

1/3

Mount Type

CS

Focal Length

2.8 - 8mm

Aperture Range

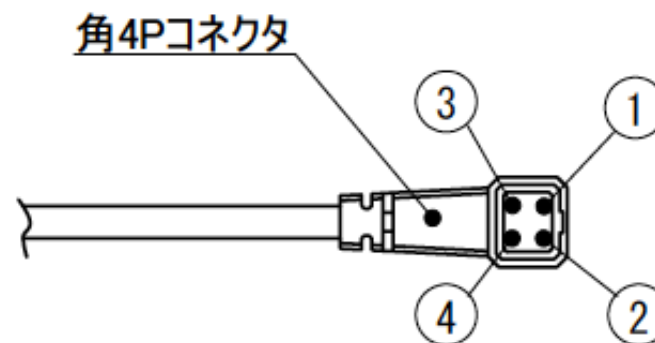
1.2 - 360

Wide

100.1° x 72.9°

Angle of View (Horizontal x Vertical)	Tele	35.8° x 26.8°
	Wide	72.9° x 53.9°
	1/4	
	Tele	26.8° x 20.1°
Focusing Range		0.3m - ∞
	Focus	Manual with Lock
Operation	Zoom	Manual with Lock
	Iris	DC Auto Iris
Filter Size		-
Back Focus(in air)		Wide 8.339 - Tele 14.944mm
Wave Length		Visible Light - Near Infrared
Operating Voltage		Open 4.0V Close 0.7V
Weight		70g
Operating Temperature		-20°C - +60°C
Wiring Disgram		

PIN	Coil Function 卷線
1	C- 制動-
2	C+ 制動+
3	D+ 駆動+
4	D- 駆動-



You can download the catalog and specifications.

[▶ Download Catalog](#)

[▶ Download Specifications](#)

[Terms of Use](#) |

[▲ Back to Top](#)

© Copyright 2002-2014 TAMRON Co., Ltd.