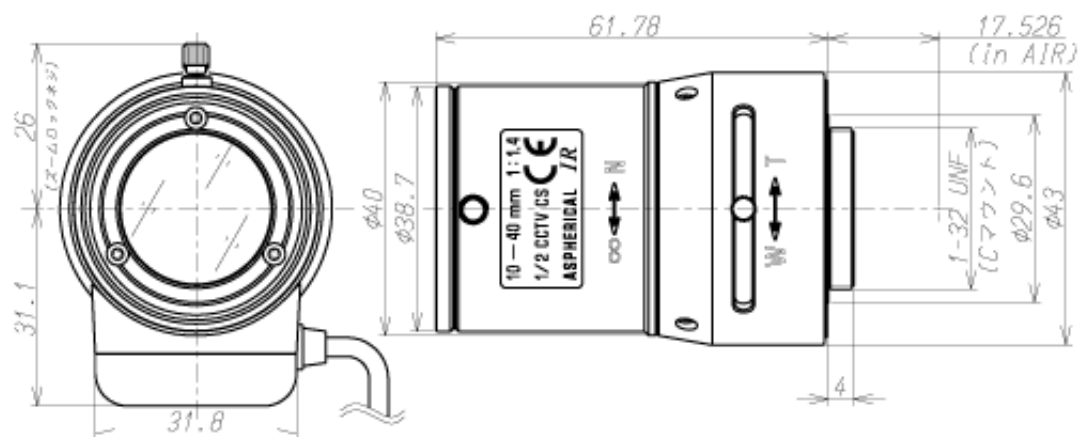


12VG1040ASIR



SPECIFICATIONS

12VG1040ASIR

Imager Size

1/2

Mount Type

C

Focal Length

10 - 40mm

Aperture Range

1.4 - 360

Wide

37.5° x 27.6°

Angle of View
(Horizontal x Vertical)

1/3

Tele

9.3° x 7.0°

Wide

27.6° x 20.4°

Tele

7.0° x 5.3°

Focusing Range

0.5m - ∞

Focus

Manual with Lock

Operation

Zoom

Manual with Lock

Iris

DC Auto Iris

Filter Size

-

Back Focus(in air)

Wide 12.166 - Tele 18.602mm

Operating Voltage

Open 3.0V
Close 0.5V

Weight

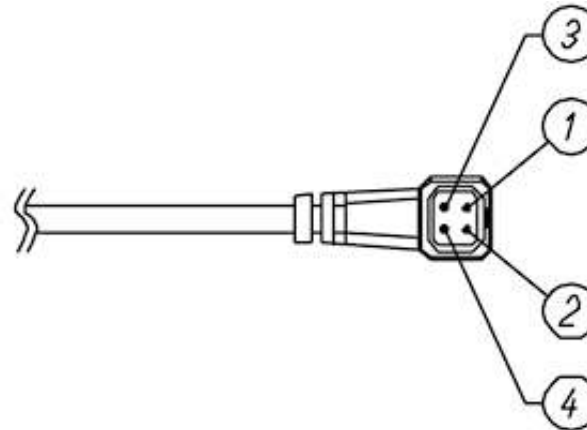
87g

Operating Temperature

-20°C - +60°C

Wiring Diagram

Pin	
1	Cont(-)
2	Cont(+)
3	Drive(+)
4	Drive(-)



[Download](#)

You can download the specifications.

[▶ Download Specifications](#)

[Terms of Use](#) |

[▲ Back to Top](#)

© Copyright 2002-2011 TAMRON Co.,Ltd.