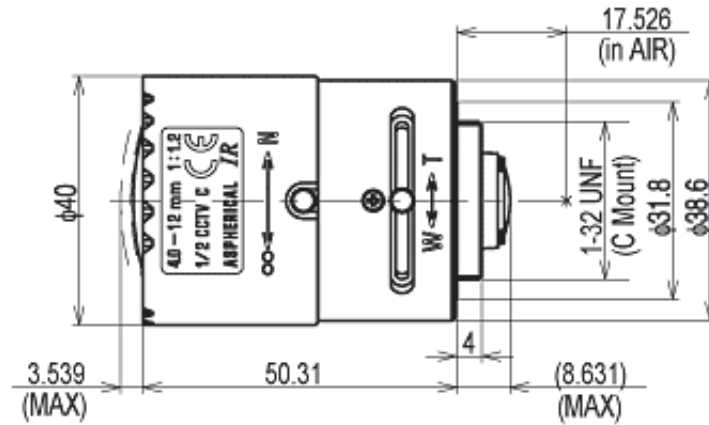
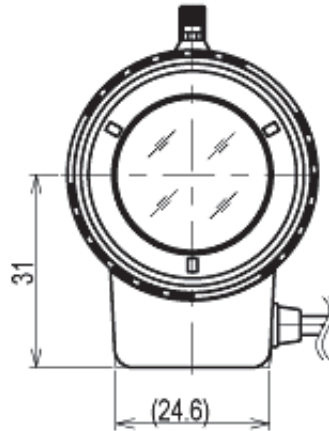


12VG412ASIR



SPECIFICATIONS

		12VG412ASIR
Imager Size		1/2
Mount Type		C
Focal Length		4.0 - 12mm
Aperture Range		1.2 - 360
Angle of View	1/2	Wide 93.7° x 68.9°
		Tele 31.2° x 23.4°

(Horizontal x Vertical)

1/3

Wide

68.9° x 51.1°

Tele

23.4° x 17.5°

Focusing Range

0.3m - ∞

Focus

Manual with Lock

Operation

Zoom

Manual with Lock

Iris

DC Auto Iris

Filter Size

-

Back Focus(in air)

Wide 10.157 - Tele 19.911mm

Operating Voltage

Open 3.0V
Close 0.5V

Weight

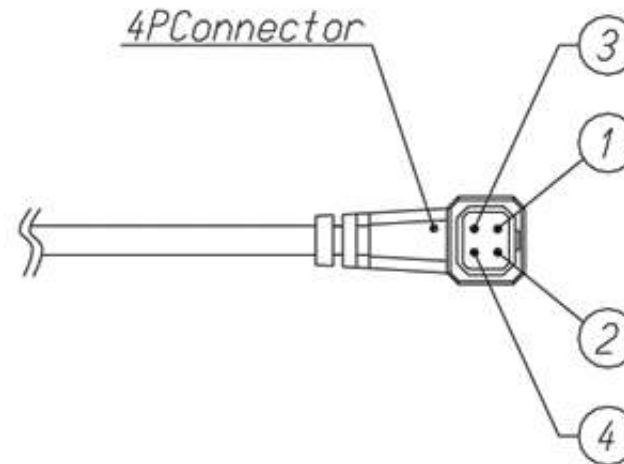
68g

Operating Temperature

-20°C - +60°C

Wiring Diagram

Pin	
1	Cont(-)
2	Cont(+)
3	Drive(+)
4	Drive(-)



Download

You can download the specifications.

[▶ Download Specifications](#)

[Terms of Use](#) |

[▲ Back to Top](#)

© Copyright 2002-2011 TAMRON Co.,Ltd.