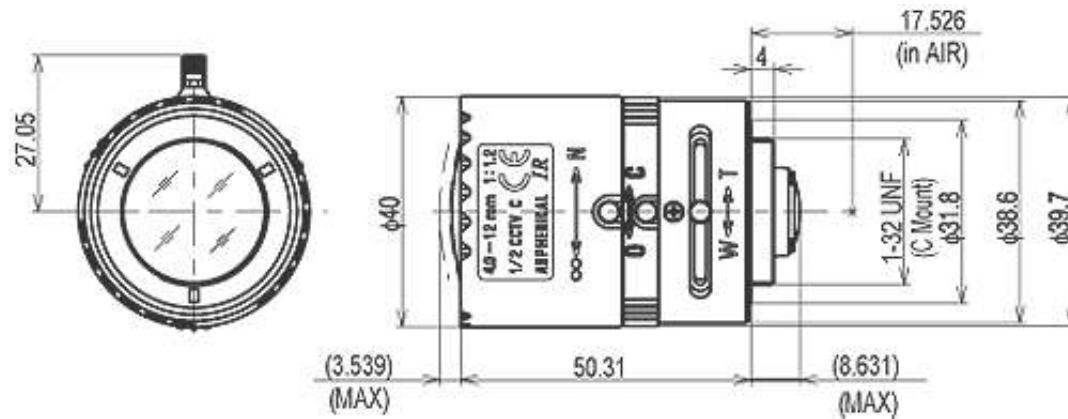


12VM412ASIR



SPECIFICATIONS

12VM412ASIR

Imager Size

1/2

Mount Type

C

Focal Length

4.0 - 12mm

Aperture Range

1.2 - Close

Wide

93.7° x 68.9°

Angle of View (Horizontal x Vertical)	Tele	31.2° x 23.4°
	Wide	68.9° x 51.1°
	Tele	23.4° x 17.5°
Focusing Range		0.3m - ∞
Operation	Focus	Manual with Lock
	Zoom	Manual with Lock
	Iris	Manual with Lock
Filter Size		-
Back Focus(in air)		Wide 10.157 - Tele 19.911mm
Operating Voltage		-
Weight		58g
Operating Temperature		-20°C - +60°C

1/3

Download

You can download the specifications.

[▶ Download Specifications](#)