

## SL1250 Telephoto 4K Resolution Day/Night lenses for 1/1.7" sensors

- ✓ **Ultra high resolution for 4K cameras**, up to 12.4 megapixel
- ✓ Available in DC **autoiris**, **P-iris**, and **manual iris** versions
- ✓ **Non-motorized version**; Fully motorized versions, or combinations with zoom, focus, iris, IR cut, and limit switch also available
- ✓ IR corrected for true **Day/Night** cameras
- ✓ **Compact design** to fit into domes as small as 4" mini-dome size
- ✓ **CS-mount** and smooth **D25 board mount** options
- ✓ Used for sensor sizes 1/2.5", 1/2.3", 1/2" 1/1.8", and **up to 1/1.7"** (Sony IMX178, Sony IMX226 for example)

### SL1250 lens family specifications

|                       |                                             |
|-----------------------|---------------------------------------------|
| Focal length          | 12-50mm                                     |
| Image circle          | Up to Ø9.4mm                                |
| Resolution            | 12.4 megapixel                              |
| F/#                   | F/1.8 @ 12mm - F/2.4 @ 50mm to close        |
| IR Correction         | Day/Night                                   |
| Focus Range           | 2.5m - infinity                             |
| Lens length           | < 64mm TTL                                  |
| Weight                | TBD                                         |
| Operating temperature | -20C to 60C (<70% humidity, non-condensing) |
| Storage temperature   | -30C to 70C (<90% humidity, non-condensing) |

### Field of view for sensor sizes

| Sensor size | 1/1.7"     | 1/1.8"     | 1/1.8" 4K* | 1/2"       | 1/2.3"     | 1/2.5"     |
|-------------|------------|------------|------------|------------|------------|------------|
| Horizontal  | 36° - 8.6° | 36° - 8.6° | 35° - 8.5° | 30° - 7.4° | 30° - 7.2° | 27° - 6.7° |
| Vertical    | 26° - 6.5° | 23° - 5.8° | 17° - 4.3° | 23° - 5.6° | 22° - 5.5° | 20° - 5.0° |
| Diagonal    | 46° - 11°  | 44° - 10°  | 40° - 9.5° | 39° - 9.2° | 38° - 9°   | 34° - 8.3° |

\*4K format = 4000 x 2000 pixels

## Lens designation

**xx1250x xx -xx**

TL: motorized  
SL: non-motorized

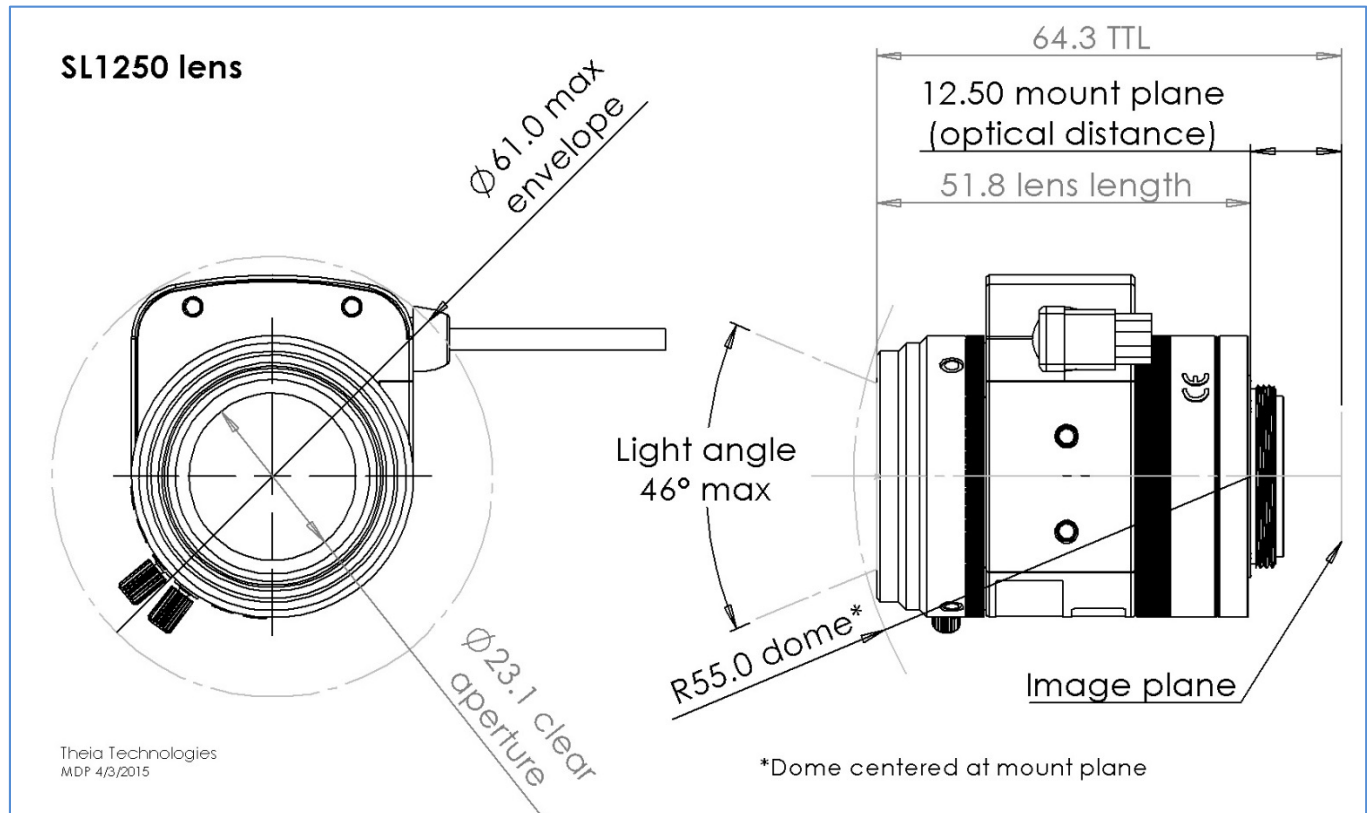
A: autoiris  
P: P-iris  
M: manual iris

R3: motorized zoom, focus, iris  
R4: motorized zoom, focus, iris, IRC  
R5: motorized zoom, focus, iris, with limit switch for zoom, focus limits  
R6: motorized zoom, focus, iris, IRC, with limit switch for zoom, focus limits

CS: CS mount  
D25: smooth Ø25mm mount

**Production versions:**  
 SL1250M (manual lens, manual iris, CS mount)  
 SL1250A (manual lens, DC autoiris, CS mount)  
 SL1250P (manual lens, P-iris, CS mount)  
 TL1250AR4-CS (fully motorized, DC autoiris lens)  
 TL1250PR4-CS (fully motorized, P-iris lens)

Other versions are available by special request and may be added to regular production



For more information contact

Theia Technologies  
 info@TheiaTech.com  
[www.TheiaTech.com](http://www.TheiaTech.com)  
 +1-503-570-3296